

PO	TN
----	----

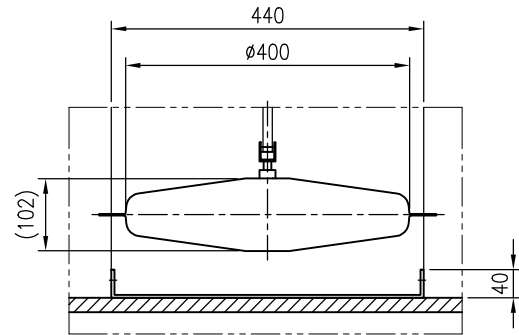
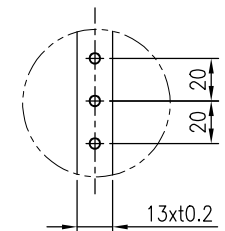
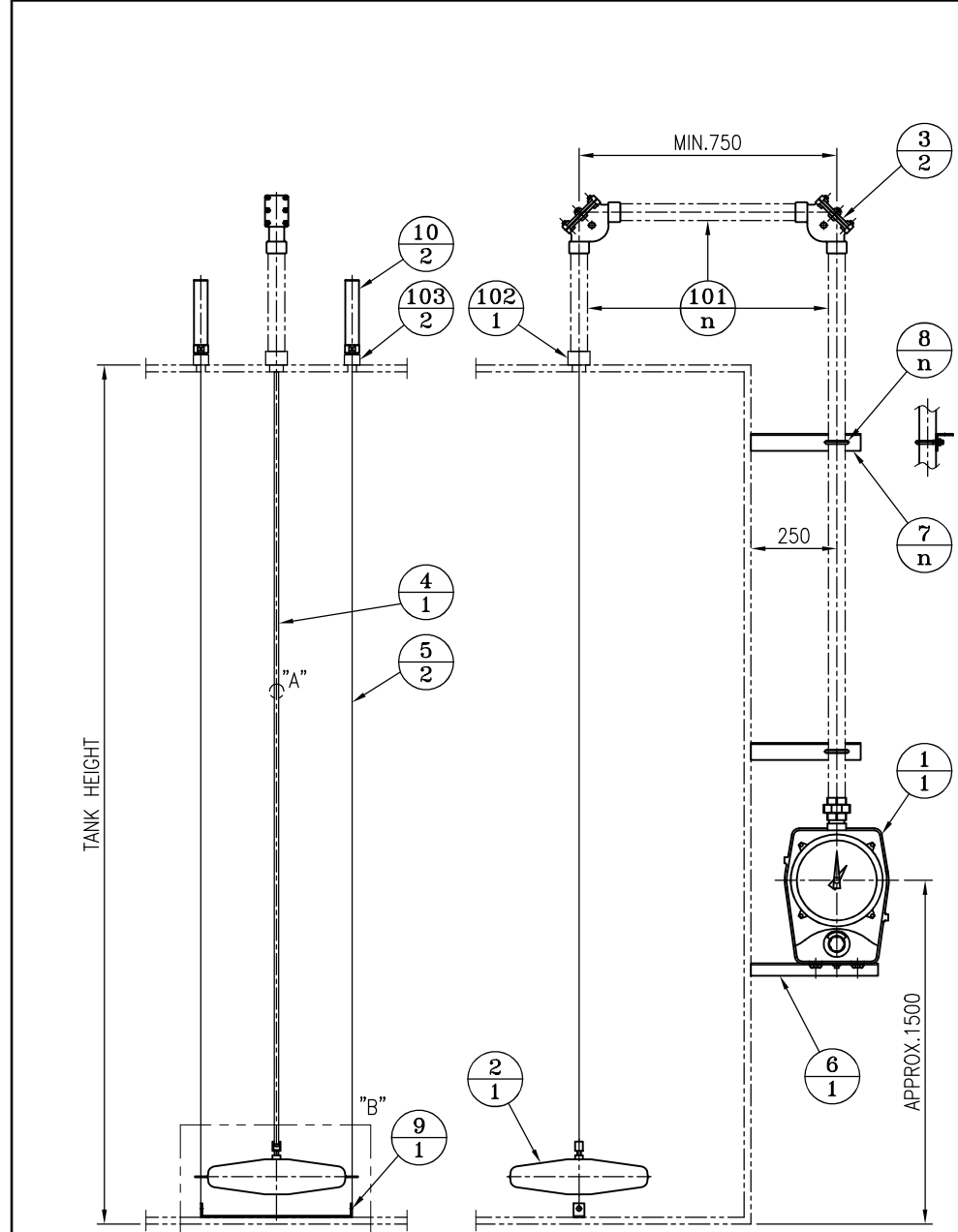
FOR	TANK LEVEL GAUGE	
MOUNTING	SIDE MOUNTING	
ENCLOSURE	WEATHER PROOF	
MAX. PRESSURE	ATM	kgf/cm ²
MAX. TEMP.	150	°C

NO.	ITEM TO BE PREPARED BY USER		
	DESCRIPTION	MATERIAL	REMARKS
101	40A PIPE		
102	40A SOCKET		for connection
103	25A SOCKET		for top anchor

NO.	ITEM TO BE SUPPLIED BY HITROL		
	DESCRIPTION	MATERIAL	REMARKS
1	GAUGE HEAD	ALC	
2	FLOAT	□ 304 SS □ 316L SS	
3	SHEAVE ELBOW	□ ALC □ 304 SS	
4	MEASURING TAPE	316L SS	
5	GUIDE WIRE	□ 304 SS □ 316 SS	∅3
6	GAUGE SUPPORT	□ C.S. □ 304 SS □ 316L SS	
7	PIPE SUPPORT	□ C.S. □ 304 SS □ 316L SS	
8	U-BOLT & NUT	□ C.S. □ 304 SS □ 316L SS	
9	BOTTOM ANCHOR	□ C.S. □ 304 SS □ 316L SS	
10	TOP ANCHOR	□ 316L SS+C.S. □ 316L SS+304 SS	

TAG NO.	Q'TY	MEASURING RANGE(mm)	SCALE RANGE(mm)	TANK HEIGHT(mm)

NOTE
1. GENERAL TOLERANCE IS ±3mm EXCEPT AS NOTED.



NO.	DATE	REVISION	REV'D BY	CHK'D BY	APP'D BY
	2024.08.08	1ST ISSUE	S H KIM	B S SUNG	J S YANG

HITROL CO., LTD.		SCALE	UNIT	SHEET NO.
		N.S	mm	/
TITLE TANK LEVEL GAUGE HLT-1110		PROJECT		
		DRAWING NO. HLT1110-AAA-01		

This drawing is the property of HITROL and shall not be copied, communicated, or given for tiers except with our written permission.