

Integral Valve Cone Meter(IVCM)

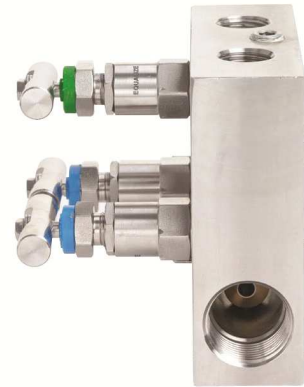
(Patent No. 10-0915089)

IVCM is one of a differential pressure type flow meter and it measures the flow rate according to the same physical principle of other differential pressure type flow meter.

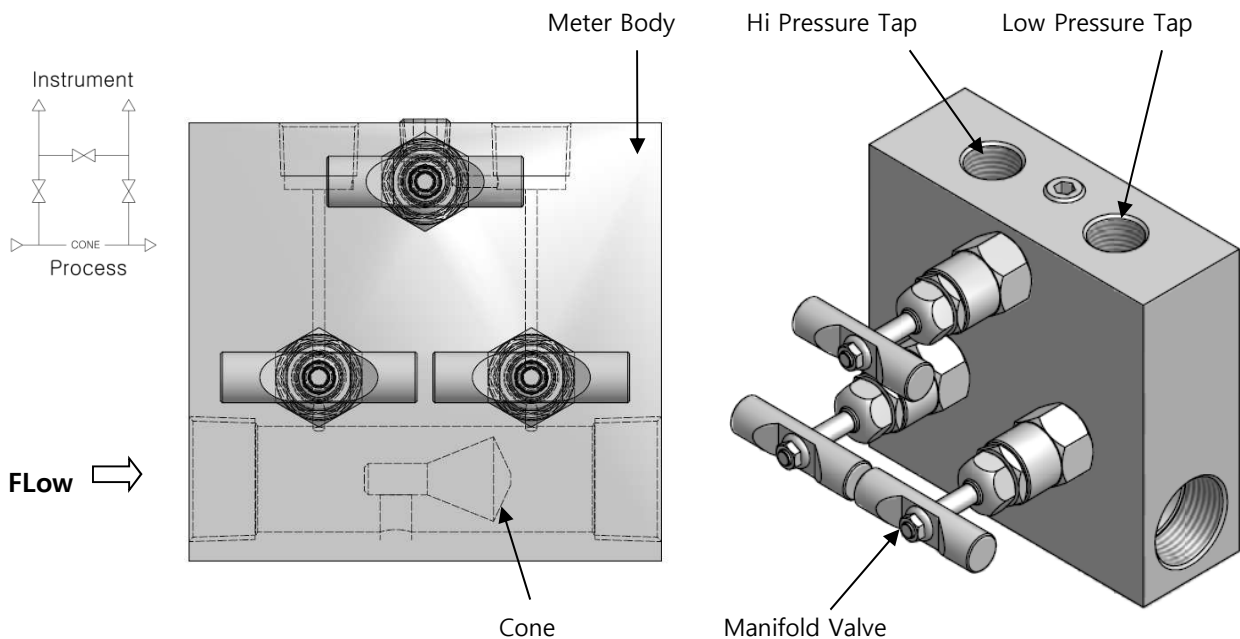
A cone-shaped flow element which is located in the center of the flow meter body increases the velocity of the fluid and generates the differential pressure.

This differential pressure measured by two pressure taps (High / Low Pressure) is transmitted to the DP transmitter and it indicates the flow rate.

IVCM is designed to combine the manifold valve which is essential part of differential pressure type flow meter, with cone meter and it has advantages of minimizing of the risk from the leak on the connection parts when it can be occurred during processing, and saving of the cost and time when installation.



METER COMPONENTS



- Meter Body : Body which connects the manifold valve and cone meter as integral type
- Cone : Flow element which increases the velocity of the fluid and generates the differential pressure
- Hi Pressure Tap : Tap which measures high pressure and transmits it to DP transmitter
- Low Pressure Tap : Tap which measures low pressure and transmits it to DP transmitter
- Manifold Valve : It consists of 1 piece of Equalizing Valve and 2 pieces of Isolation Valve

SPECIFICATIONS

Fulid : water, air, oil and gas
 Size : 0.5in to 1in(15A to 25A)
 Accuracy : $\pm 0.5\%$ of Rate
 Turndown : 10:1
 Repeatability : $\pm 0.1\%$
 Standard Betas : 0.45 through 0.75
 Installation : 3 diameters upstream and
 1 diameter downstream
 Pressure Rating @ 100°F (38°C) : 6000 psig(410 bar)

UNIQUE FEATURES

Integral Type
 No Moving parts
 Designed for pipelines
 Variety of Stem Tip : Hard tip, Soft tip
 100% Calibrated (ISO 17025)
 Body Materials available in stainless steel

PRESSURE RATING & MAXIMUM TEMPERATURE

VALVE PACKING	STEM TIP	PRESSURE RATING @100°F(38°C)	MAXIMUM TEMPERATURE
PTFE	Hard(316SS)	6000 Psig	400°F (204°C)
	Soft(PEEK)	6000 Psig	400°F (204°C)
GRAFOIL	Hard(316SS)	6000 Psig	600°F (315°C)
	Soft(PEEK)	6000 Psig	450°F (232°C)

DIMENSION

MODEL	SIZE	DIMENSION				
		L	A	W	H	ID
IVCM-1H	1/2"(15A)	120	112	42	21	16
IVCM-3Q	3/4"(20A)	120	112	42	21	21
IVCM-01	1"(25A)	120	112	42	21	27

Unit : mm

