

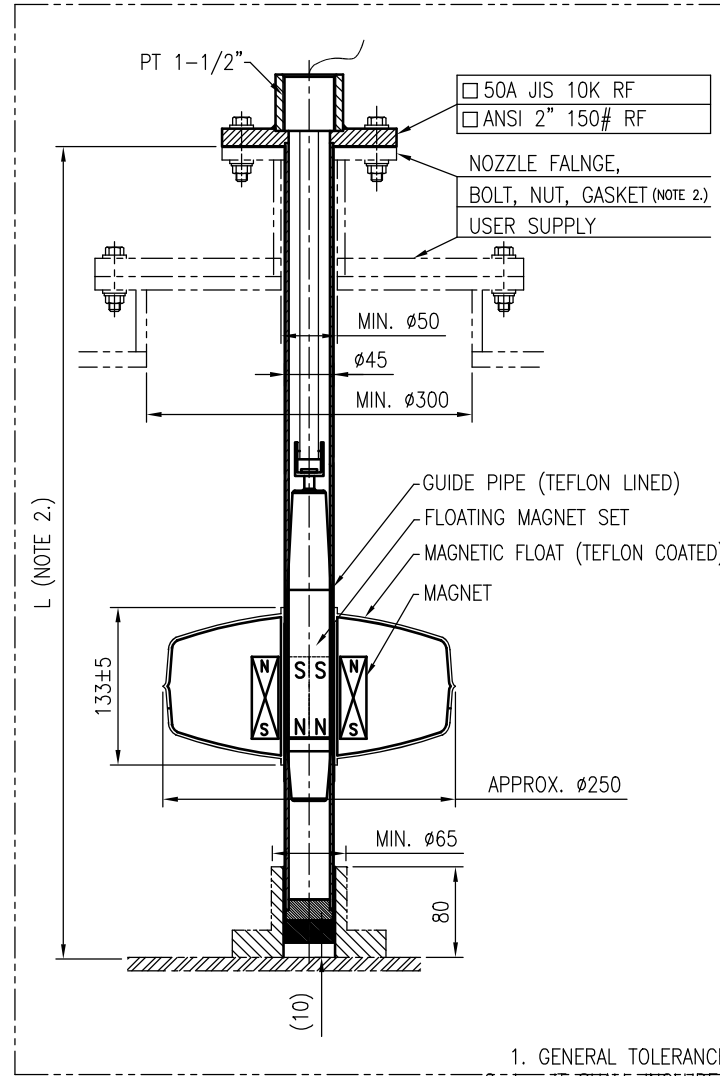
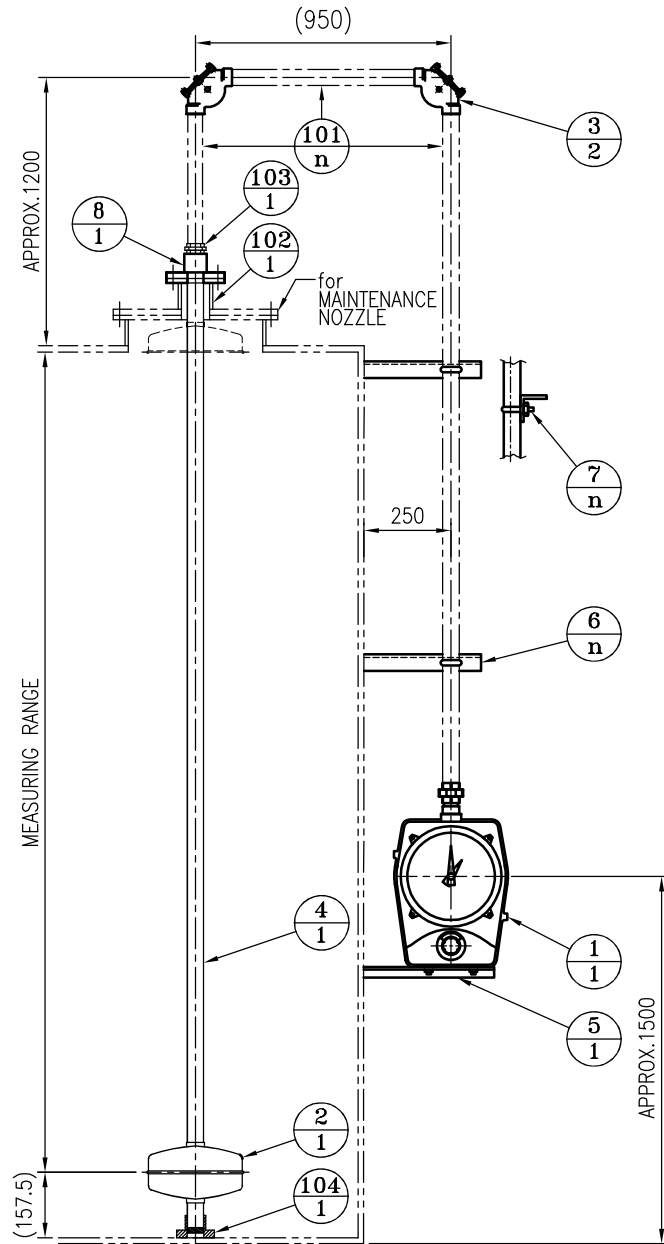
PO	TN
----	----

FOR	TANK LEVEL GAUGE
MOUNTING	SIDE MOUNTING
ENCLOSURE	WEATHER PROOF
FLUID NAME	Sp.Gr.
MAX. PRESSURE	5 kgf/cm <sup>2</sup>
MAX. TEMP	150 °C

ITEMS TO BE PREPARED BY USER			
NO.	DESCRIPTION	MATERIAL	REMARKS
101	40A PIPE		
102	50A PIPE w/ FLANGE		
103	PT 1-1/2" UNION		
104	BOTTOM ANCHOR		

ITEMS TO BE SUPPLIED BY HITROL			
NO.	DESCRIPTION	MATERIAL	REMARKS
1	GAUGE HEAD	AL.C	
2	FLOAT	304 SS+TEFLON	COATED
3	SHEAVE ELBOW	AL.C 304 SS	
4	GUIDE PIPE	304 SS+TEFLON 316L SS+TEFLON	SEAMLESS PIPE + LINED
5	GAUGE SUPPORT	C.S 304 SS 316L SS	
6	PIPE SUPPORT	C.S 304 SS 316L SS	
7	U-BOLT & NUT	C.S 304 SS 316L SS	
8	FLANGE w/ SOCKET	304 SS+TEFLON 316L SS+TEFLON	

TAG NO.	Q'TY	MEASURING RANGE(mm)	SCALE RANGE(mm)	L (mm)



NOTE  
 1. GENERAL TOLERANCE IS ±3mm EXCEPT AS NOTED.  
 2. L : IT SHALL INCLUDE THE THICKNESS OF ALL GASKETS.

NO.	DATE	REVISION	REV'D BY	CHK'D BY	APP'D BY
2019.11.01	1ST ISSUE	H J KIM	B S SUNG	Y H KIM	

<b>HITROL CO., LTD.</b> TITLE <b>TANK LEVEL GAUGE</b> <b>HLT-1112</b>	SCALE	UNIT	SHEET NO.
	N.S	mm	/
	PROJECT		
DRAWING NO.			HLT1112-B-01

This drawing is the property of HITROL and shall not be copied, communicated, or given for tiers except with our written permission.