

PADDLE TYPE FLOW SWITCH

HFS Series



2 YEARS WARRANTY



ASME



www.hitrol.com



Always The Best Solution

HITROL CO., LTD.

Overview

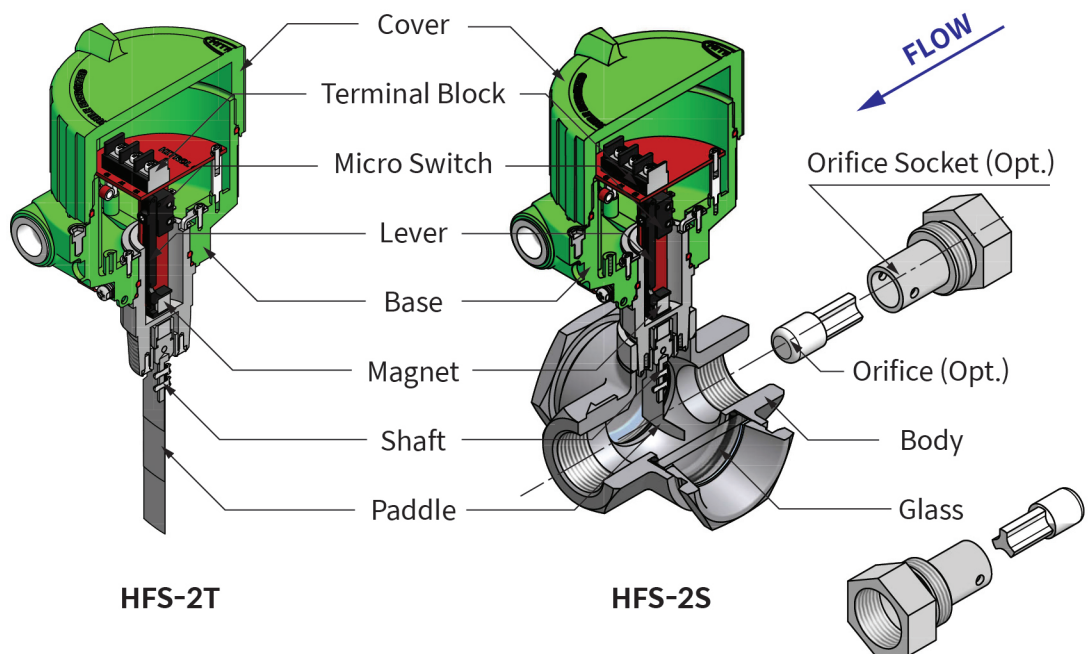
HFS Series is a paddle type flow switch which manages the piping system by controlling of pump and motor, etc, after sensing of the presence or absence of fluid in the piping.

Characteristics

- Convenient installation at sight and maintenance by simplified structure.
- Piping insertion type (Insertion) and sight glass type (Inline) for various applications.
- Available of sensing for low flow rate using of orifice as option.
- Applicable to use for high pressure piping by magnetic construction.
- Applicable to explosion area. (Ex-Proof version, Ex d IIC)

Operation Principle and Composition

When the fluid in the pipe pushes the paddle, angle of the shaft on which paddle is attached changes, and lever connected to the magnet operates the micro switch and contact signal is generated. If there is no fluid in the pipe, shaft returns to its original angle.



PADDLE TYPE FLOW SWITCH
HFS Series

Specification

► Standard Version

Model		HFS-2T	HFS-2S
Installation		Insertion	Inline
Type		Screw (Std.) or Flange	
Ambient Temperature		-20°C ~ +60°C	
Process Pressure		Up to 20kg/cm ²	
Process Temperature		PBT Housing:Max.80°C / AL.C Housing:Max.120°C	
Enclosure		Weather-Proof (PBT:IP65 / AL.C:IP66)	
Contact Rating		AC 250V, 10A / DC 30V, 5A	
Switch Form		1-DPDT	
Switch Type		Micro Switch	
Process Connection		PT 1" Screw (Std.)	
Material	Housing	PBT (Std.) / AL.C (Opt.)	
	Body	-	SCS14
	Process Conn.	316L SS (Std.)	
	Paddle	316L SS	
Cable Entry		2-PF 1/2" (F) (Std.)	

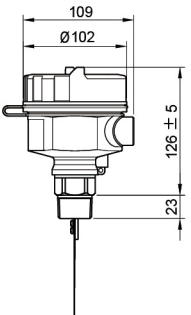
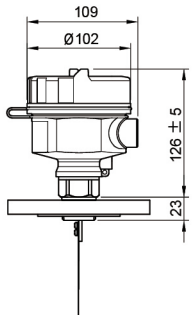
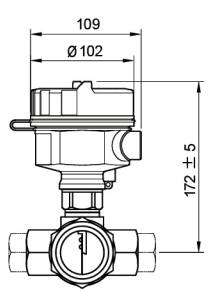
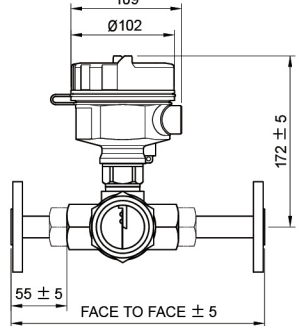
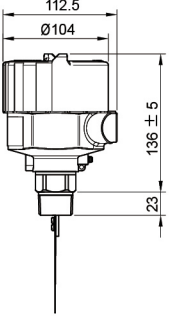
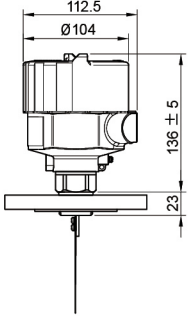
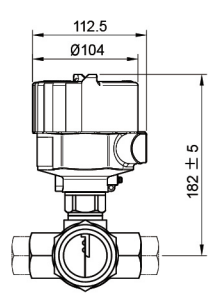
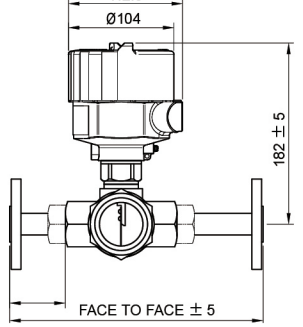
► Ex-Proof Version

Model		HFS-2T-Ex	HFS-2S-Ex
Installation		Insertion	Inline
Type		Screw (Std.) or Flange	
Ambient Temperature		-20°C ~ +60°C	
Process Pressure		Up to 20kg/cm ²	
Enclosure & Process Temperature (Max.)		Ex-Proof (IP66) Ex d IIC T6 (70°C) Ex d IIC T5 (80°C) Ex d IIC T4 (120°C)	
Contact Rating		AC 250V, 10A / DC 30V, 5A	
Switch Form		1-DPDT	
Switch Type		Micro Switch	
Process Connection		PT 1" Screw (Std.)	
Material	Housing	AL.C	
	Body	-	SCS14
	Process Conn.	316L SS (Std.)	
	Paddle	316L SS	
Cable Entry		2-PF 1/2" (F) (Std.)	

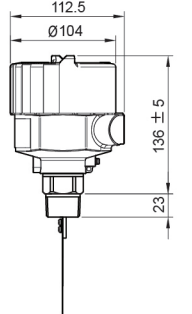
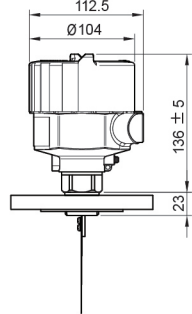
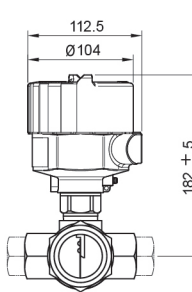
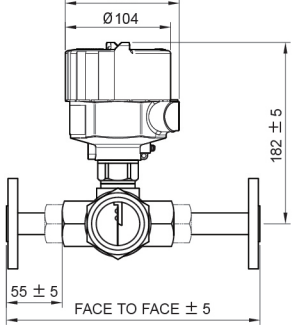
► **Order Code** can be printed at our website (www.hitrol.com)

Dimension

► Weather-Proof

		HFS-2T		HFS-2S	
		Screw Type	Flange Type	Screw Type	Flange Type
FLOW Switch	PBT Housing				
	Aluminium Housing				

► Explosion-Proof

		HFS-2T-Ex		HFS-2S-Ex	
		Screw Type	Flange Type	Screw Type	Flange Type
					



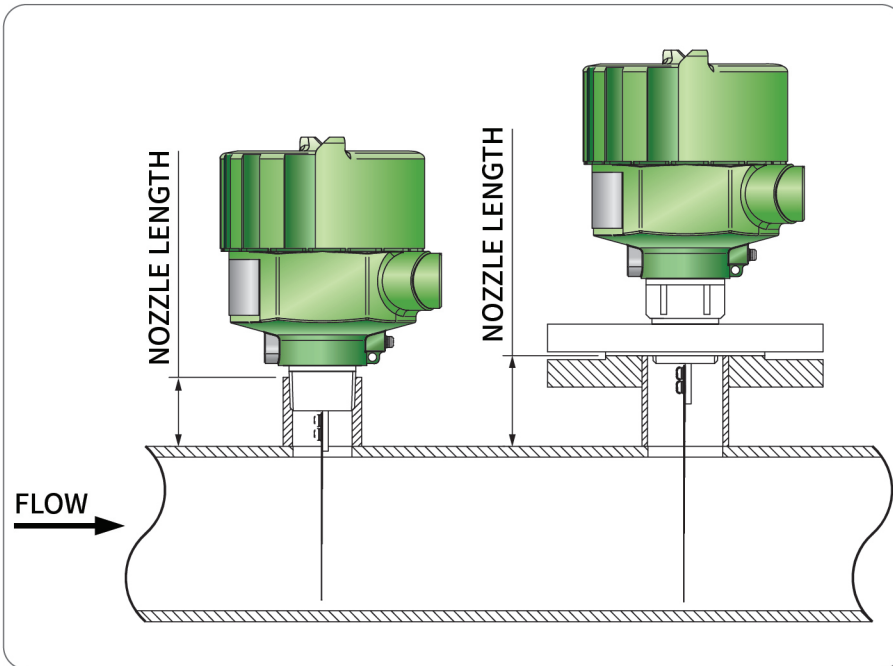
NOTICE Actual product may have a tolerance slightly.

* Standard Face to Face length (mm)

Process Connection	Face to Face (mm)
15A JIS 10K RF	250
20A JIS 10K RF	300
25A JIS 10K RF	300
40A JIS 10K RF	350
50A JIS 10K RF	350
65A JIS 10K RF	350

설치방법 | Installation

▶ HFS-2T



- Install the product in accordance with the flow direction indicated on the housing.
- Pay attention not to allow the paddle to touch the bottom of the piping.
- It is necessary to check the pipe nozzle height information in order to select the paddle accurately.

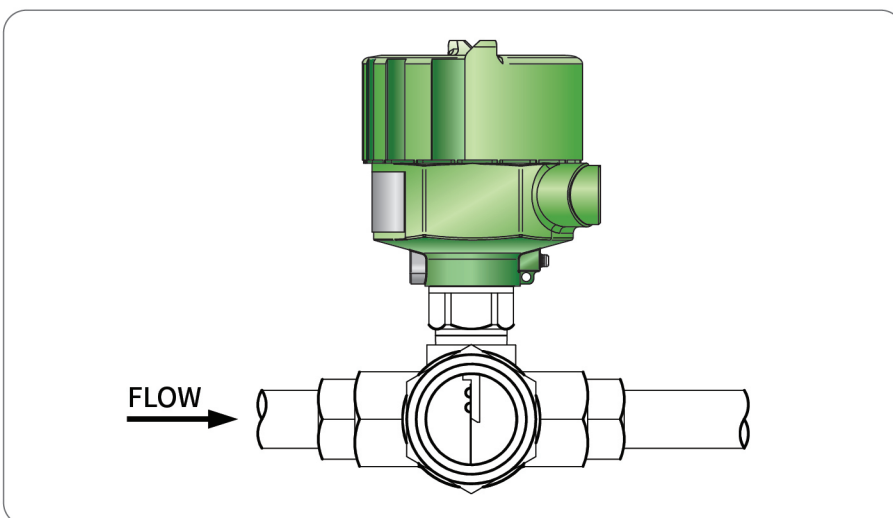


Select the paddle length by criteria after checking of nozzle length and pipe inner diameter.



Suitable model should be installed after determining whether the relevant area is an explosion area or not.

▶ HFS-2S



- Install the product in accordance with the flow direction indicated on the housing.



Suitable model should be installed after determining whether the relevant area is an explosion area or not.

PADDLE TYPE FLOW SWITCH

HFS Series

- 01** Easy installation by piping insertion and sight glass type
- 02** As sight glass type, flow of fluid in the piping can be directly checked.
- 03** Available of sensing for low flow rate (8 LPM) using of orifice
- 04** Applicable to explosion area (Ex-Proof version, Ex d IIC)
- 05** Applicable to high pressure piping by shielding structure

 hitrol@hitrol.com

 www.hitrol.com

* 제품은 업그레이드를 위하여 예고 없이 변경될 수 있습니다.