

DIGITAL TYPE LEVEL INDICATOR

HTA Series



2 YEARS WARRANTY



ASME



www.hitrol.com



Always The Best Solution
HITROL CO., LTD.

Overview

HTA Series display the customer's required indication value by 4-Segments after received the input signal from the sensor. The relay output at the required action point can be setting by programming, and also DC4-24mA which completely isolated with input signal can be available.

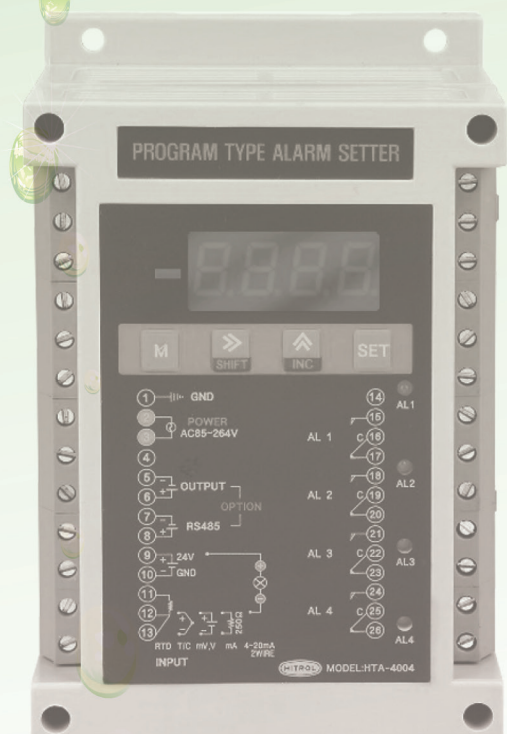
Characteristics

- High efficient and precision 16bit A/D Converter built in.
- Alarm Setting
 - Available for 2-Alarm, or 4-Alarm (High/Low alarms separately) by user programmable.
 - Available for setting Dead Band by user programmable.
 - Available for H/L Control by user programmable.
- Analog Output
 - Available for analog output as Isolated mA, V, Scaling programmable by user programmable.

Operation Principle

It can be measured by Analogue Digital Converter after converting input signal to voltage. The display and alarm set for operating can be setting by display part with buttons.

DIGITAL TYPE LEVEL INDICATOR HTA Series



Specification

▶ HTA-2000 Series

Model	HTA-2002	HTA-2003	HTA-2004
Installation	Panel Front		
Type	Digital Indicator (4 DIGIT), BAR GRAPHIC		
Power Source	AC 95~275V		AC 95~275V, DC 24V (opt.)
Input Signal	DC 4~20mA, 2-wire, DC V, RTD, T/C (std.) Potentiometer (opt.)		
Output	DC 4~20mA, 2-ALARM (2-SPDT)	DC 4~20mA, 2-ALARM (2-SPST), CONTROL (1-SPDT)	DC 4~20mA, 4-ALARM (4-SPST)

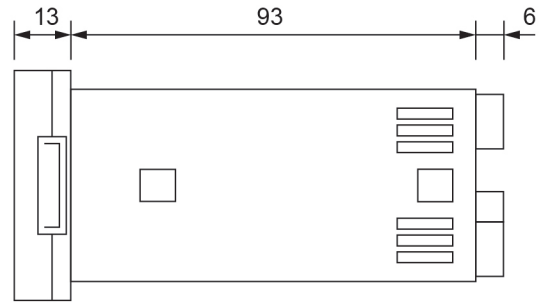
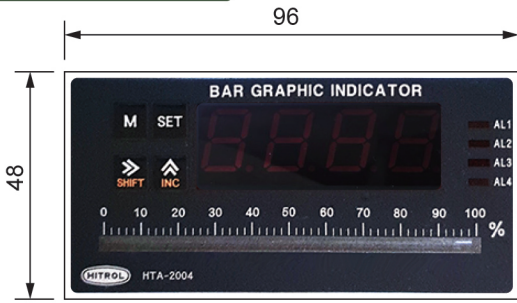
▶ HTA-4000 Series

Model	HTA-4003	HTA-4004
Installation	Wall Mounting	
Type	Multi Alarm Setter (4 DIGIT)	
Power Source	AC 85~264V	
Input Signal	DC 4~20mA, 2-wire, DC V, RTD, T/C	
Output	DC 4~20mA, 2-ALARM (2-SPDT), CONTROL (1-SPDT)	DC 4~20mA, 4-ALARM (4-SPDT)

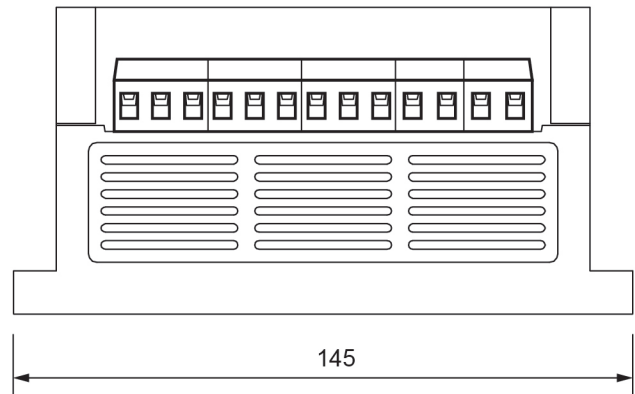
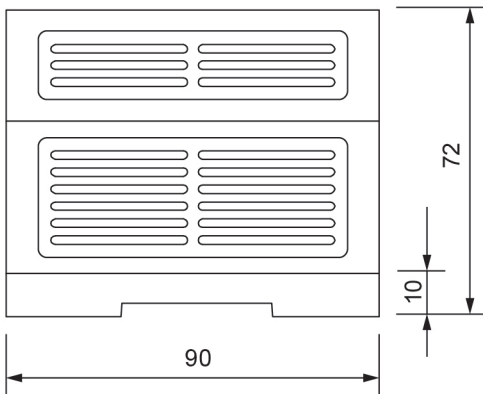
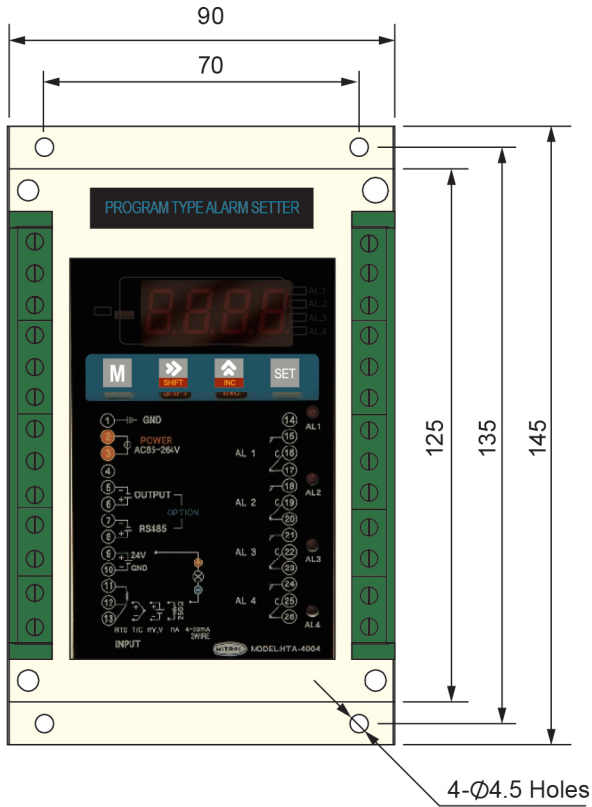
▶ **Order Code** can be printed at our website (www.hitrol.com)

Dimension

HTA-2000 Series



HTA-4000 Series

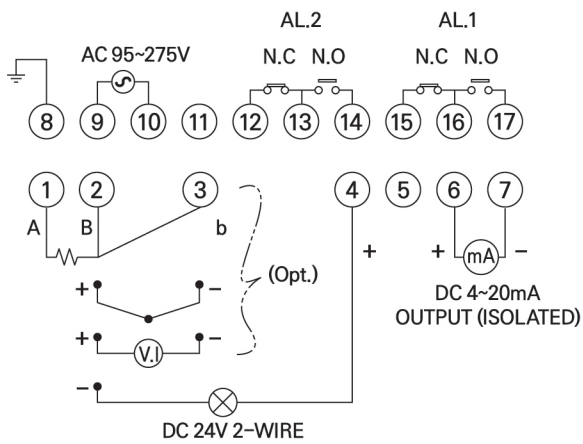


Level Indicator

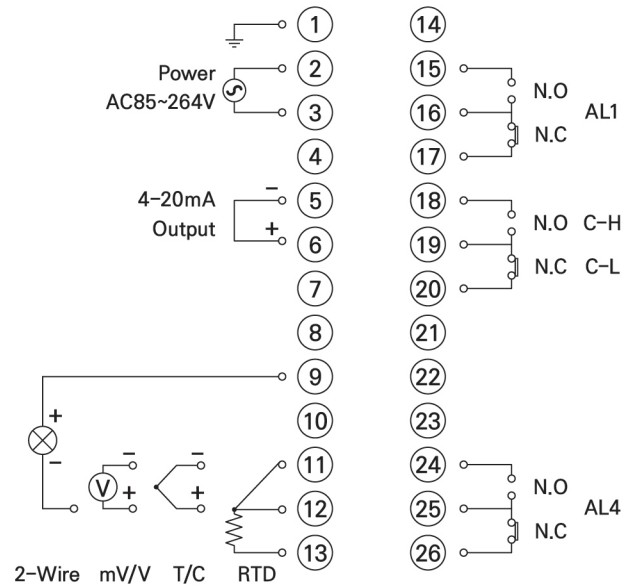
■ Actual product may have a tolerance slightly.

Electrical Connection

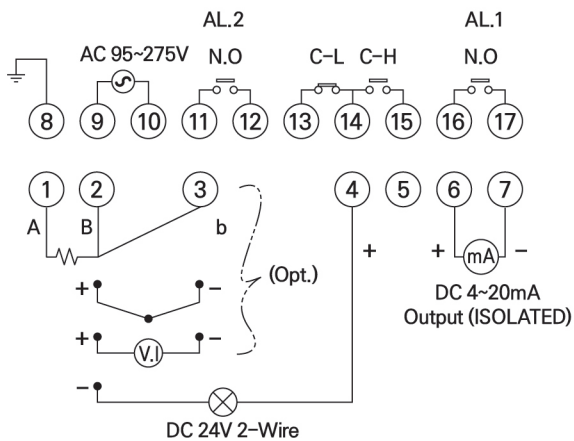
HTA-2002



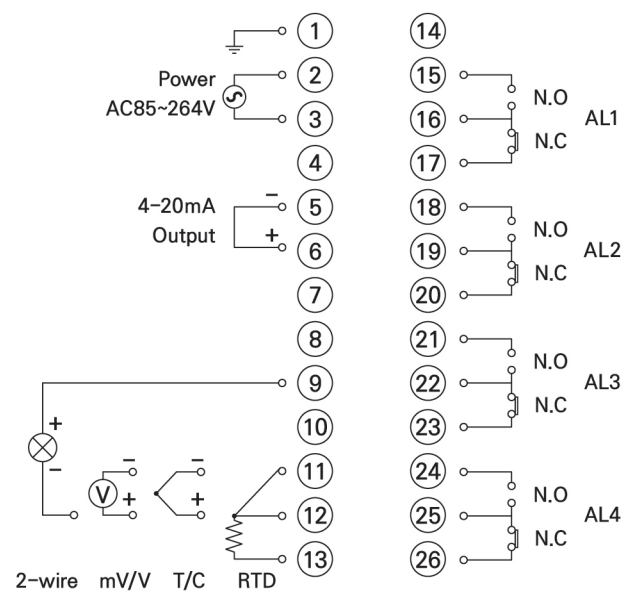
HTA-4003



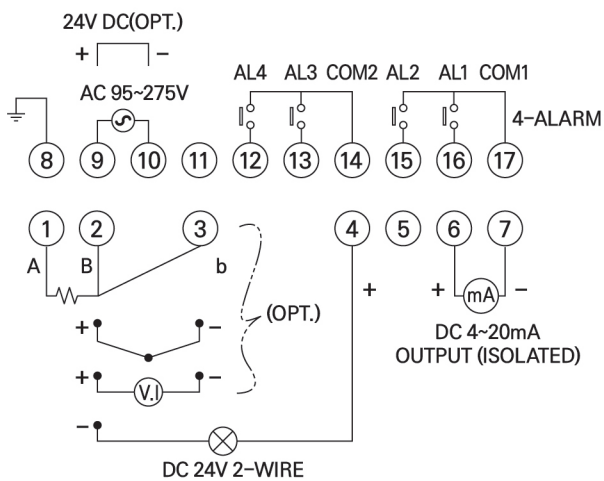
HTA-2003



HTA-4004



HTA-2004





DIGITAL TYPE LEVEL INDICATOR

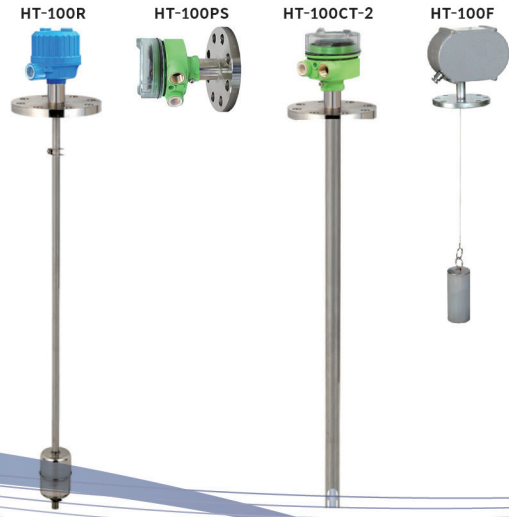
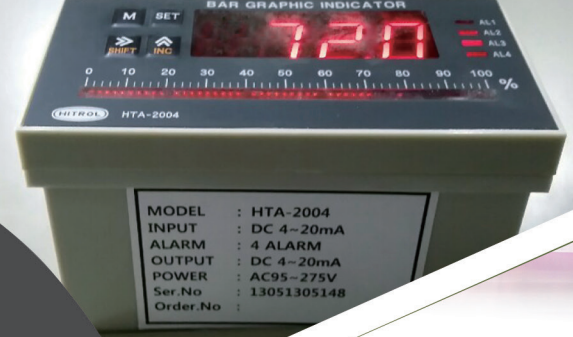
HTA Series

01 High efficient and precision
16bit A/D Converter built in

02 Various alarm output possible

03 Easy Setting and Programming

04 Combination with various transmitters



hitrol@hitrol.com

www.hitrol.com

* Design of product can be changed for upgrade without notice.