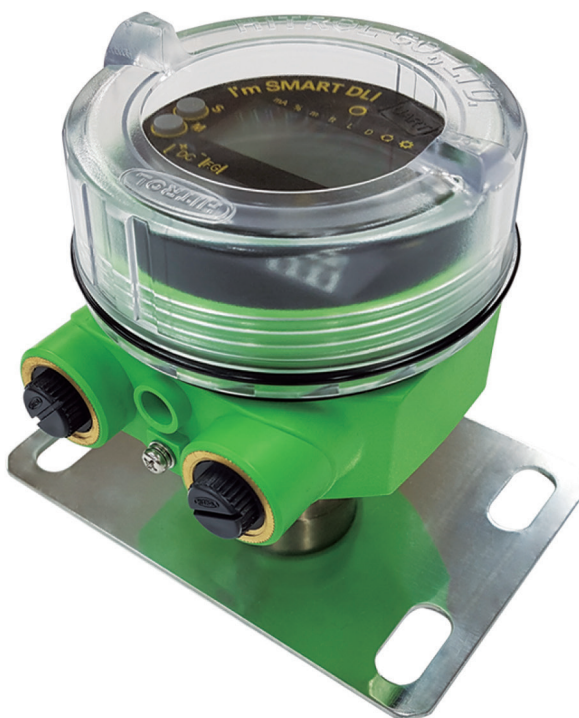


DIGITAL TYPE LEVEL INDICATOR

HI-100D Series



2 YEARS WARRANTY



ASME



www.hitrol.com



Always The Best Solution

HITROL CO., LTD.

Overview

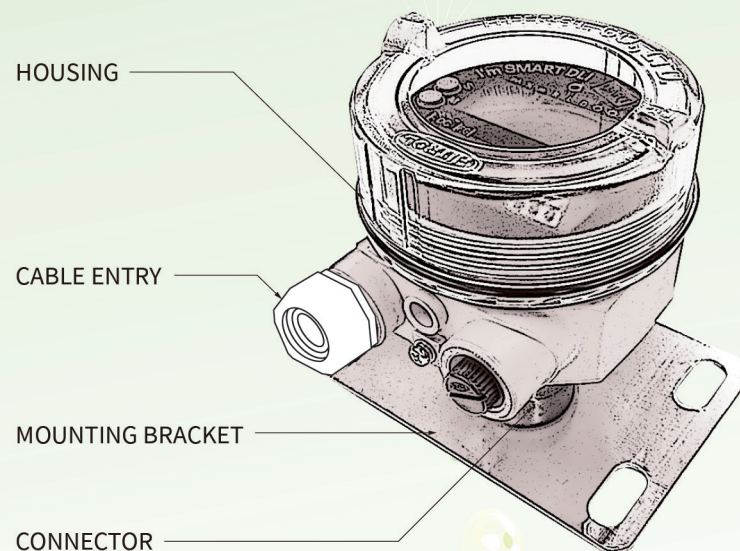
HI-100D Series is a Local Indicator which receives DC 4~20mA signal from Level Transmitter and displays the various value as mA, %, m, ft, Level, Distance so that the status of level of medium in the tank can be checked.

Characteristics

- Digital Operating System based on 16Bit Microprocessor
- Universal field indicator for any level transmitter (DC 4~20mA)
- Available with various display mode (mA, %, Meter, Feet, Level, Distance)
- Easy setting and maintenance with Key Button
- High accuracy ($\pm 0.2\%$ F.S)
- Easy and variable wiring method (Serial : 2-wire / Parallel : 4-wire)
- Available to adjust the output signal based on site condition
- Easy Setting and Monitoring through a Laptop using a USB and UART port.
- Available to select for View and Rotation function of Display mode
- Applicable to explosion area (Ex-Proof version)

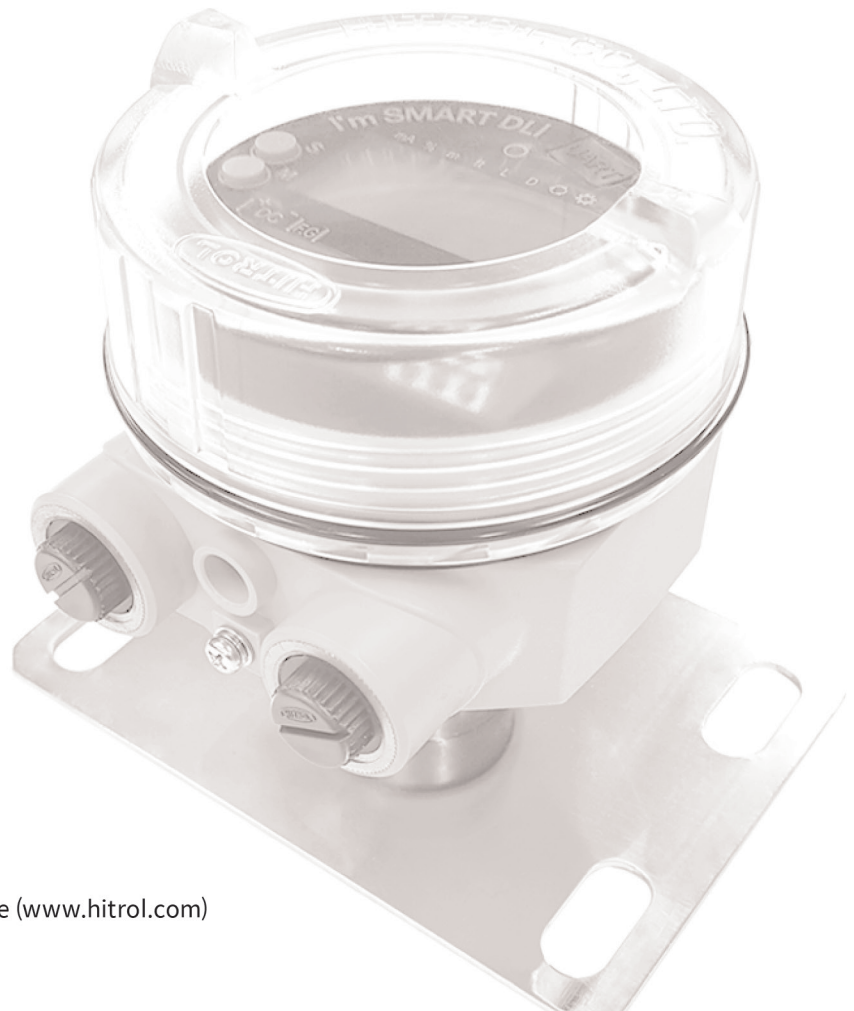
Operation Principle

HI-100D Series is a digital indicator which can be used with 2-wire Loop Transmitter. Based on Microprocessor, after receiving of the current signal (DC 4~20mA) measured by level transmitter, it calculates and displays the value as per user's setting in order to check the level of medium in the tank.



Specification

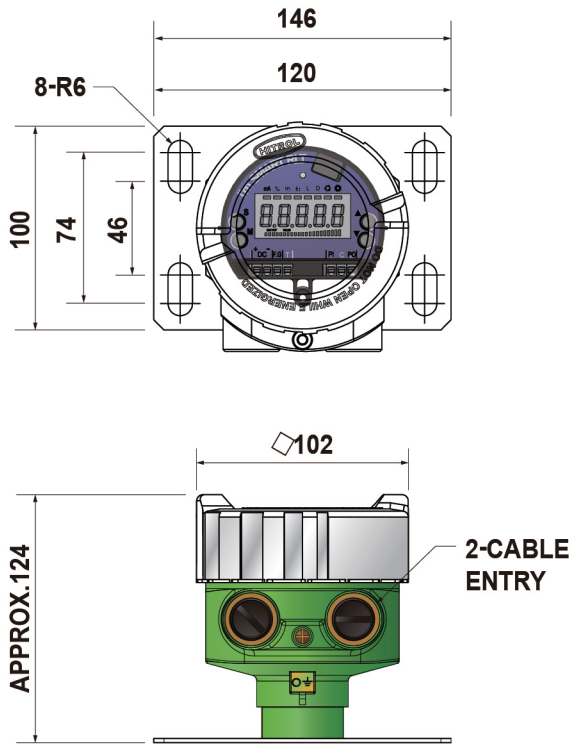
Model	HI-100D	HI-100D-EX
Enclosure	Weather Proof (IP65 / IP66)	Ex d IIC T6 (IP65)
Material	PBT / AL.C	AL.C
Mounting	Local	
Microprocessor	16Bit Microprocessor	
Combination Unit	2-Wire DC 4~20mA Transmitter	
Display	mA, %, m, ft, Level, Distance	
Wire Connection	Serial & Parallel	
Drop Voltage	4.5V	
Accuracy	±0.2% F.S	
Ambient Temperature	-20°C ~ +60°C	
Status Indicator	Bi-Color LED [Green / Red]	



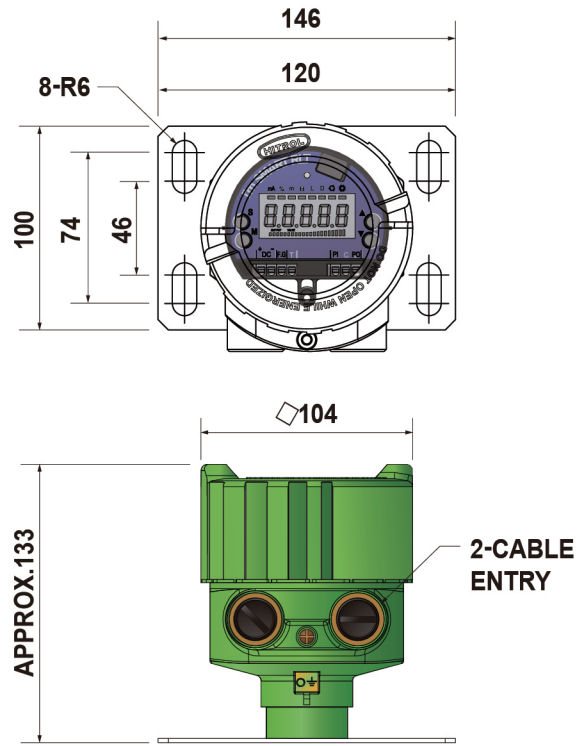
► **Order Code** can be printed at our website (www.hitrol.com)

Dimension

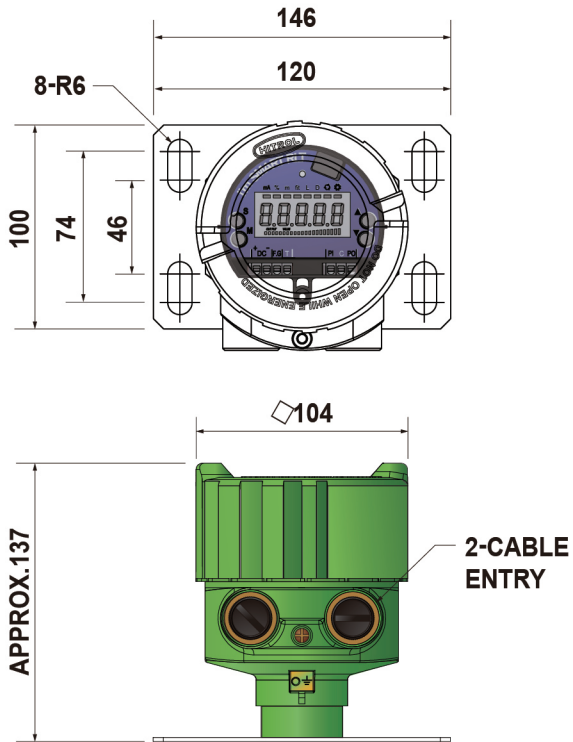
HI-100D (PBT)



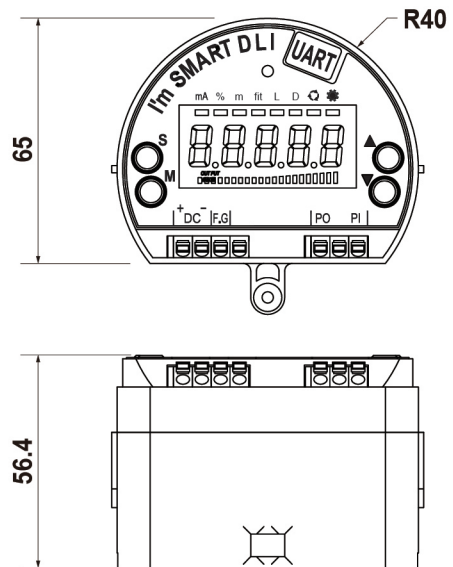
HI-100D (AL.C)



HI-100D-EX



HI-100D AMP



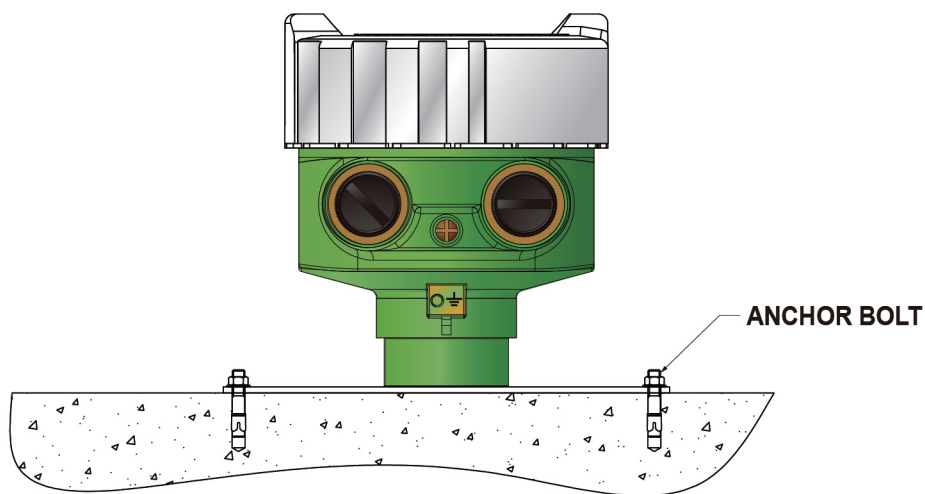
■ Actual product may have a tolerance slightly.

Installation

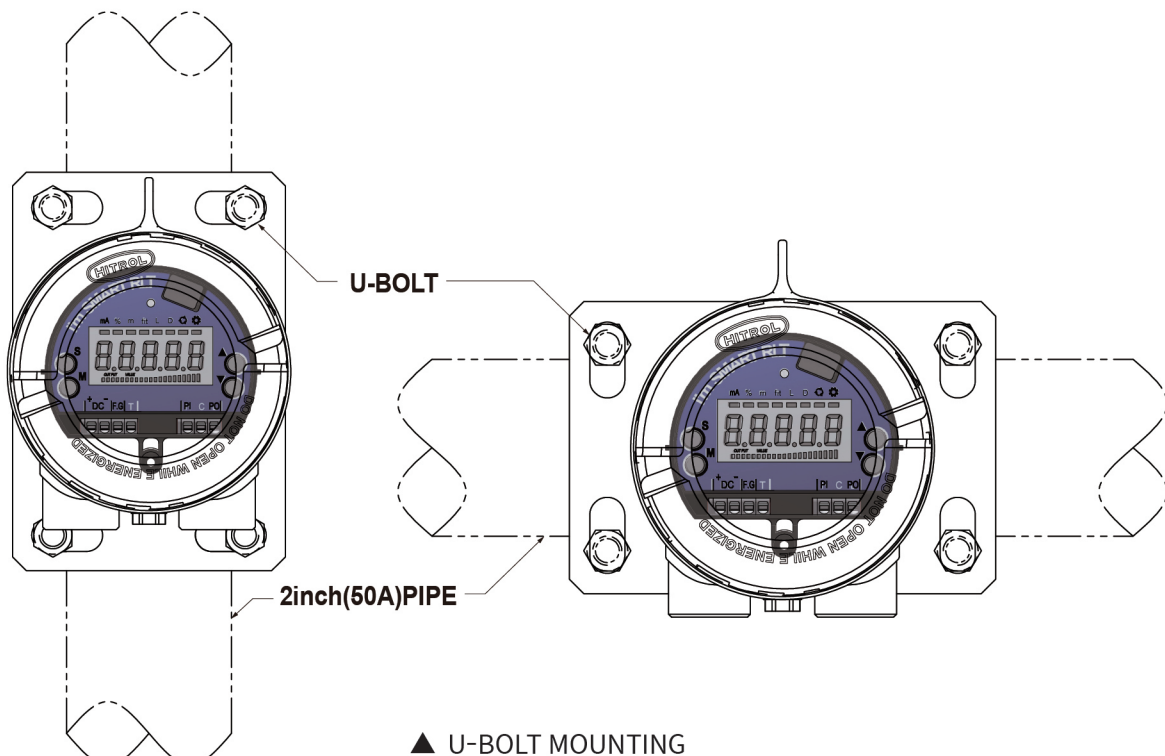
- Below drawing should be considered when installation.

HI-100D Series is generally installed to wall or 2" pipe where has vibrationless condition, using U-bolts or anchor bolts. If it is inevitably installed at the place where has vibration condition, it should be extra carefully installed because the bolts can be loosened by the vibration. Recommended bolt size is max. M10. If there is not special requirement, 2" pipe and bolts for installation is not supplied. In addition, please consider below cautions when installation.

- Ambient Temperature : $-20\sim+60\text{ }^{\circ}\text{C}$
- It will be Installed in a place where it can be visually confirmed
- HI-100D-Ex is an explosion proof version, It can not be installed at the Zone 0 classified locations.



▲ ANCHOR BOLT MOUNTING



▲ U-BOLT MOUNTING

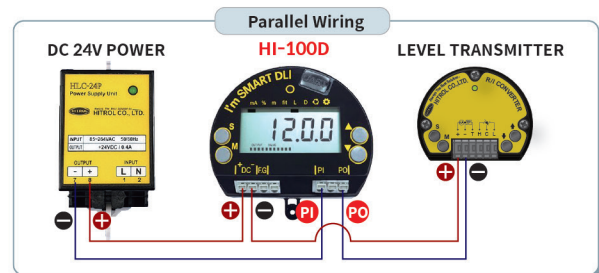
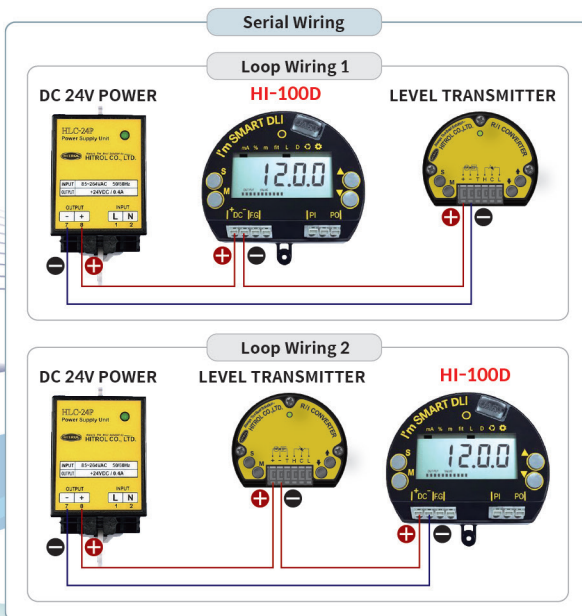
DIGITAL TYPE LEVEL INDICATOR

HI-100D Series

01 Digital Operating System based on 16Bit Microprocessor

02 Available with various display mode (mA, %, Meter, Feet, Level, Distance)

03 Available with various display mode (mA, %, Meter, Feet, Level, Distance)



 hitrol@hitrol.com

 www.hitrol.com

* Design of product can be changed for upgrade without notice.