

FLOAT TYPE LEVEL GAUGE

HLT-1000 Series



2 YEARS WARRANTY



ASME



www.hitrol.com



Always The Best Solution

HITROL CO., LTD.

Overview

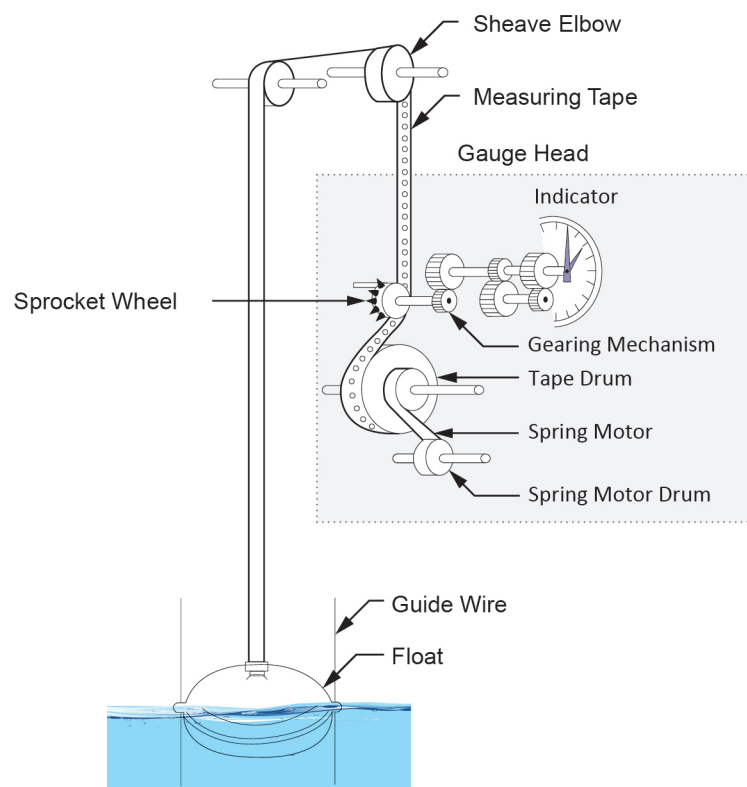
HLT-1000 Series is a Float Type Tank Level Gauge which continuously measures liquid level in a tank by a buoyancy of float. It can be widely used for several industries to measure liquid levels.

Characteristics

- Using a spring balance and measuring in mm
- Simplified design, high accuracy and durability
- Independent operation without power supply
- Operation checkup using a built-in drive checker
- Indicating gauge head can be installed at top or side of tank.
- Simple calibration
- Option for remote indication, control and switch for alarm

Operation Principle

- A gauge consists of a float, sheave elbow, measuring tape and a gauge head. When the float is immersed in a liquid, it is balanced by its own buoyancy and a tension of the measuring tape. When the liquid level is changed, the change of the float position is detected and the spring motor adjusts the measuring tape to maintain the float position on the surface of the liquid. The measuring tape has a series of holes set at regular intervals and as the tape rotates the sprocket, it in turn operates the display indicator. The positioning of the measuring tape holes on the sprocket compensates for the tape weight and prevents the tape from slipping. Transmitter or switch can be coupled directly to the sprocket wheel and combined to the rear of the gauge head.

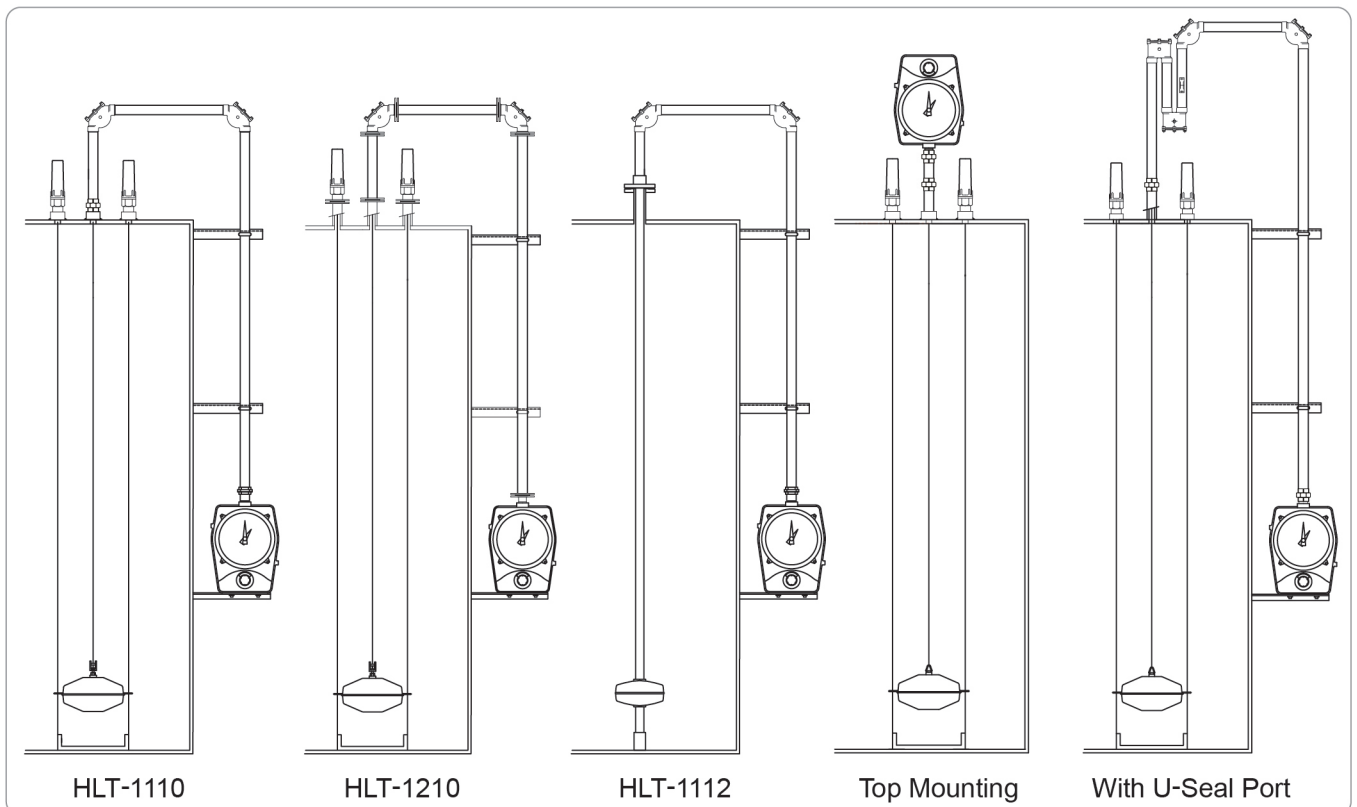


Specification

Model	HLT-1110	HLT-1210	HLT-1112
Process Connection	Screw (PT 1-1/2")	Flange (1-1/2")	Flange (2")
Process Temperature	Max. 150°C		SUS : Max. 150°C Teflon : Max. 150°C
Process Pressure	ATM		5kgf/cm ²
Indicator	2-Points Dial		
Enclosure	Weather Proddf (IP65) (Opt. Ex-Proof possible when connecting Combination Units)		
Gauge Head Material	Aluminum		
Float Material	SUS 304, SUS 316, etc.		SUS 304, SUS 316, SUS304+Teflon Coating
Accessory Material	Top Anchor : SUS316L+C.S(Std.), Sheave Elbow : AL (Std.), Measuring Tape : SUS316, Guide Wire : SUS304 (Std.)		Sheave Elbow : AL (Std.) Measuring Tape : SUS 316
Specific Gravity	Above 0.5		
Measuring Range	2.5m / 5m / 10m / 16m / 20m / 30m		Max. 5m
Accuracy	±2mm		
Combination Units	HAT-1000 (DC 4~20mA) / HAT-5000 (Max. 4-SPDT) HAT-1000-EX / HAT-5000-EX, Enclosure: Ex d IIC T4, IP66		

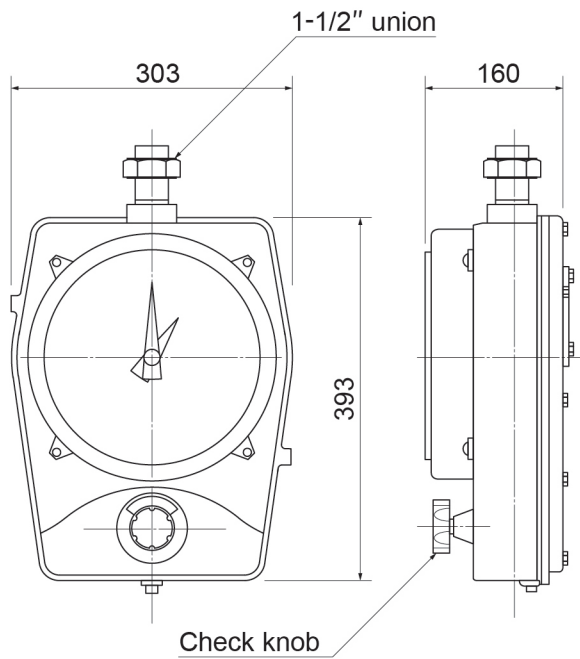
► **Order Code** can be printed at our website (www.hitrol.com)

Type

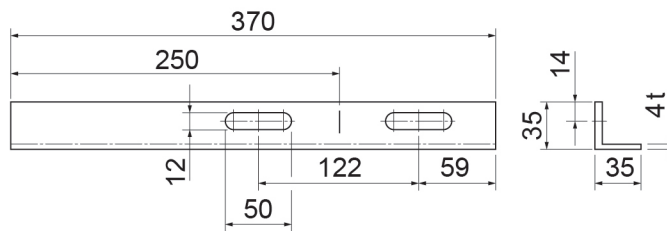


Dimension

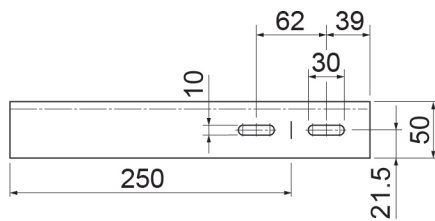
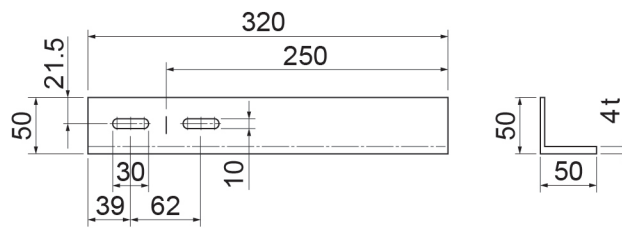
Gauge Head



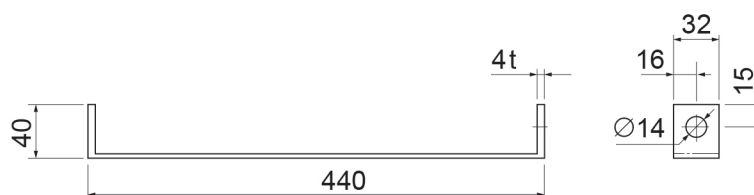
Gauge Support



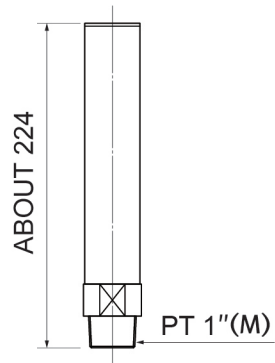
Pipe Support



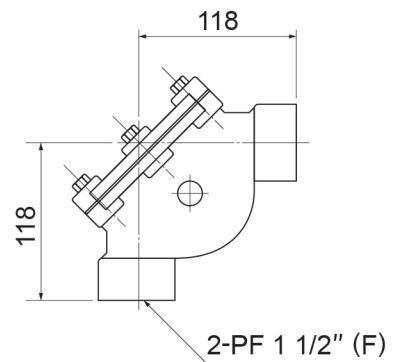
Bottom Anchor



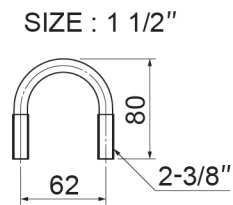
Top Anchor



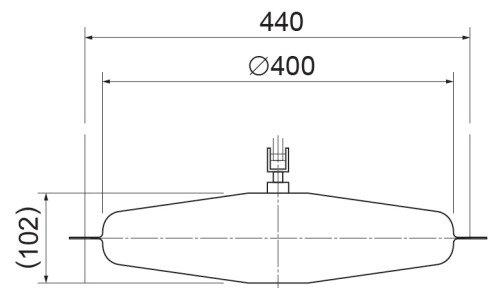
Sheave Elbow



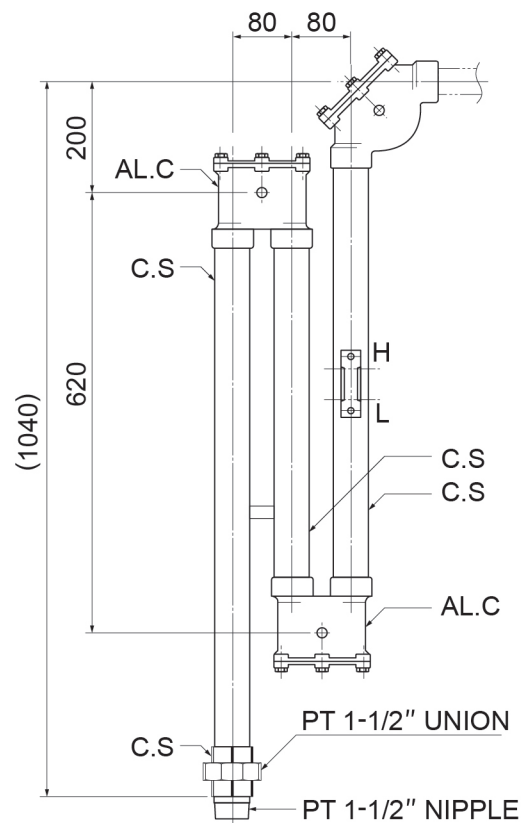
U-Bolt



Float



U-Seal Port

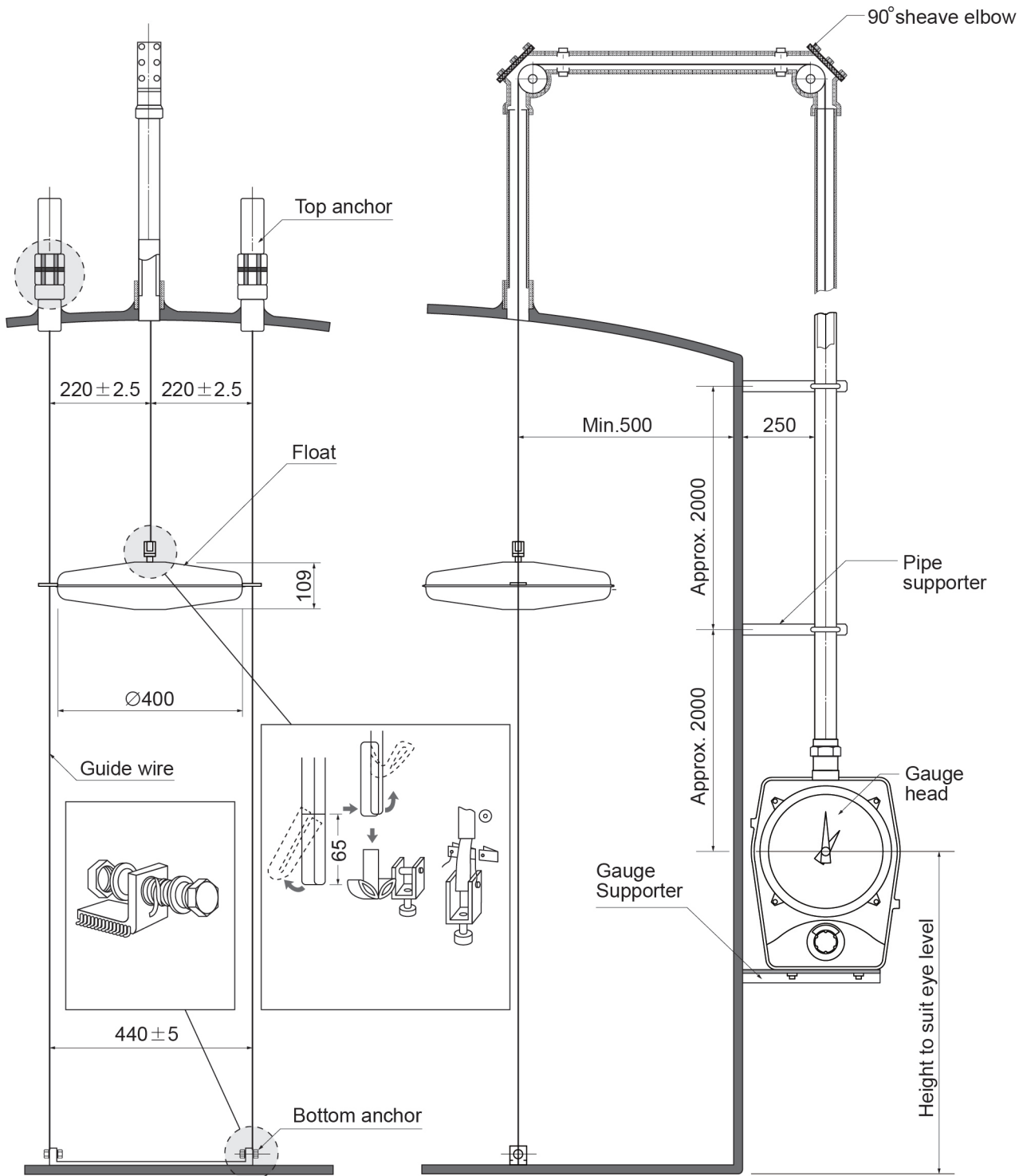


■ Actual product may have a tolerance slightly.

Installation

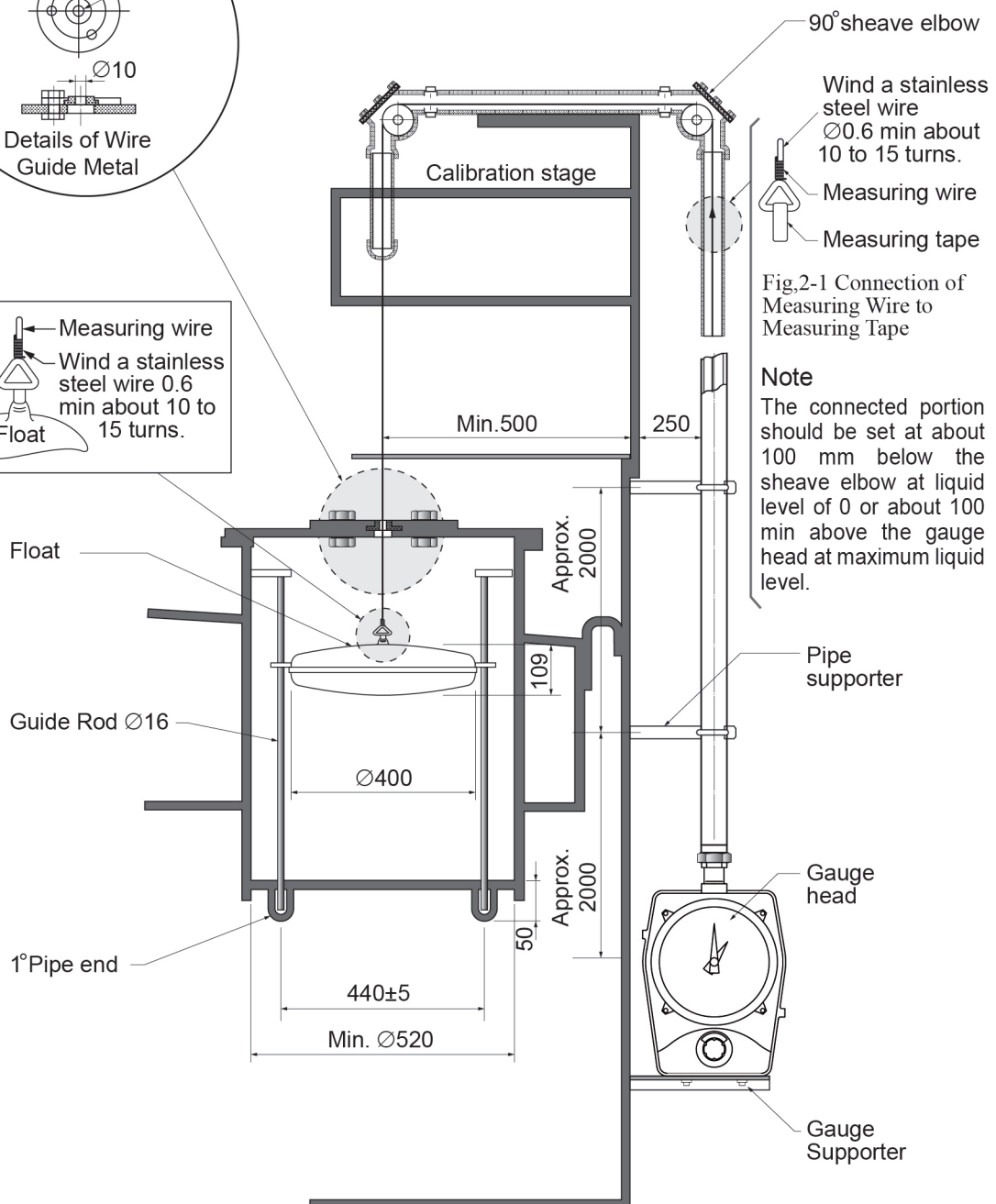
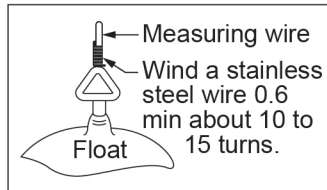
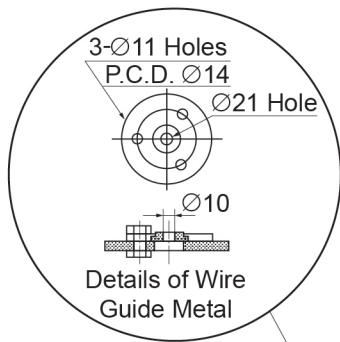
- Below recommendation should be considered when installation.

► Cone Roof Type



- Below recommendation should be considered when installation.

► **Floating Roof Type**



FLOAT TYPE LEVEL GAUGE

HLT-1000 Series

01

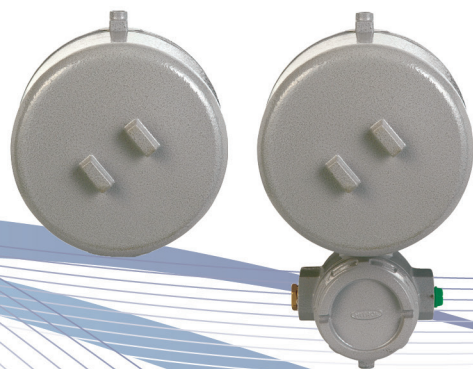
Simplified design, high accuracy and durability

02

Operation checkup using a built-in drive checker

03

Option for remote indication, control and switch for alarm



 hitrol@hitrol.com

 www.hitrol.com

* Design of product can be changed for upgrade without notice.