

VIBRATION TYPE LEVEL SWITCH

HTM-920(921) Series



2 YEARS WARRANTY



ASME



www.hitrol.com



Always The Best Solution
HITROL CO., LTD.

Overview

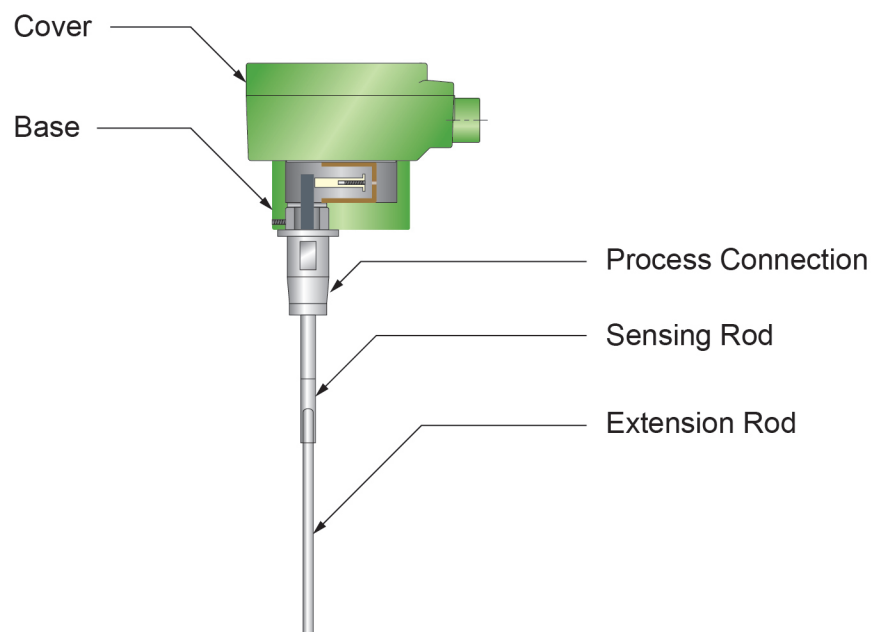
HTM-920 Series is a Vibration Type Level Switch which detects a level of solid or powder using a resonant frequency. **HTM-921** is a compact version and **HTM-920** is a remote version that sensor and controller are separated.

Characteristics

- Various kinds of powder or solid level can be detected.
- No need to adjust a sensitivity according to measuring material
- Long life cycle due to moveless parts

Operation Principle and Composition

A module generating frequency is installed in its sensor head. If the medium is not existing around the sensing rod, the sensing rod is continuously oscillated with a natural frequency by a signal generated from the module. If the medium is existing around the sensing rod, the output from the module is significantly decreased and it is sensed, relay signal is out. It can be generally used for alarm and process control.



VIBRATION TYPE LEVEL SWITCH
HTM-920 Series

Specification

► Compact Version

Model	HTM-921
Installation	Top or Side
Ambient Temperature	-20°C ~ +60°C
Process Temperature	Max. 150°C
Process Pressure	Up to 10kg/cm ² (150#)
Power Source	AC 110V / 220V (std.)
Contact Form	SPDT
Contact Rating	AC 250V, 10A / DC 30V,10A
Enclosure	Weather Proof (IP54)
Application	Solid, Powder, etc.
Wetted Part Material	SUS 316L
Process Connection	Screw PT 1" (std.)
Housing Material	Aluminum
Length	100mm (std.)
Cable Entry	PF 3/4" (F) (std.)

► Remote Version

Model	HTM-920
Installation	Top or Side
Ambient Temperature	-20°C ~ +60°C
Process Temperature	Max. 150°C
Process Pressure	Up to 10kg/cm ² (150#)
Enclosure	Weather Proof (IP66)
Application	Solid, Powder, etc.
Wetted Part Material	SUS 316L
Process Connection	Screw PT 1" (std.)
Housing Material	Aluminum
Length	100mm (std.)
Cable Entry	PF 1/2" (F) (std.)
Combination Unit	HLC-900L or HLC-900P

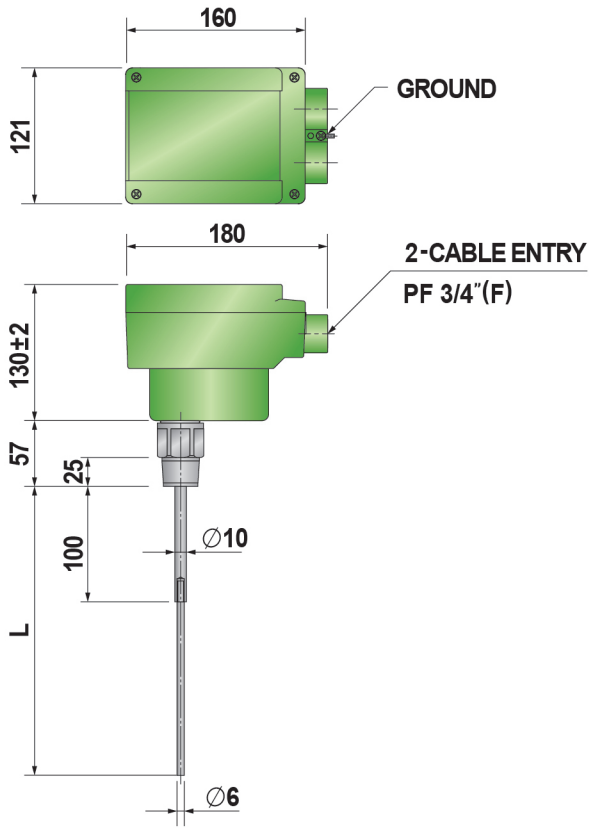
► Combination Unit

Model	HLC-900L	HLC-900P
Installation	Local	Panel Inside
Ambient Temp.	-20°C ~ +60°C	
Power Source	AC 110V / 220V (std.)	
	DC 24V (opt.)	
Contact Form	SPDT / DPDT	SPDT
Contact Rating	SPDT / AC 250V 10A, DC 30V 10A	AC 250V 10A, DC 30V 10A
	DPDT / AC 250V 5A, DC 30V 5A	-
Enclosure	Weather Proof (IP66)	-
Housing Material	Aluminum	Plastic
Cable Entry	PF 3/4" (F) (std.)	Terminal Block
Combination Sensor	HTM-920	

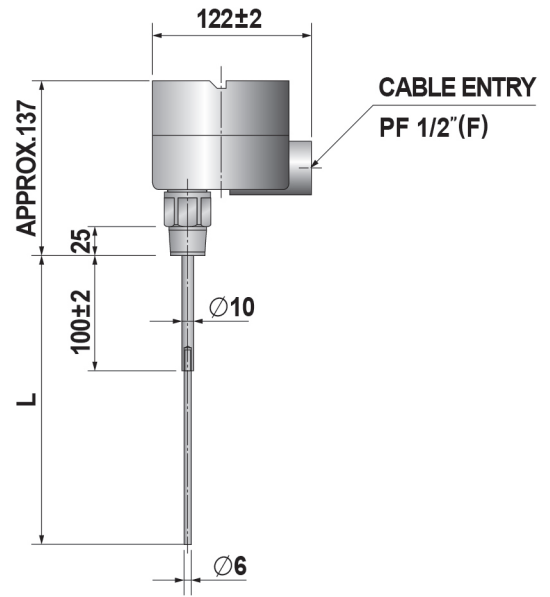
► **Order Code** can be printed at our website (www.hitrol.com)

Dimension

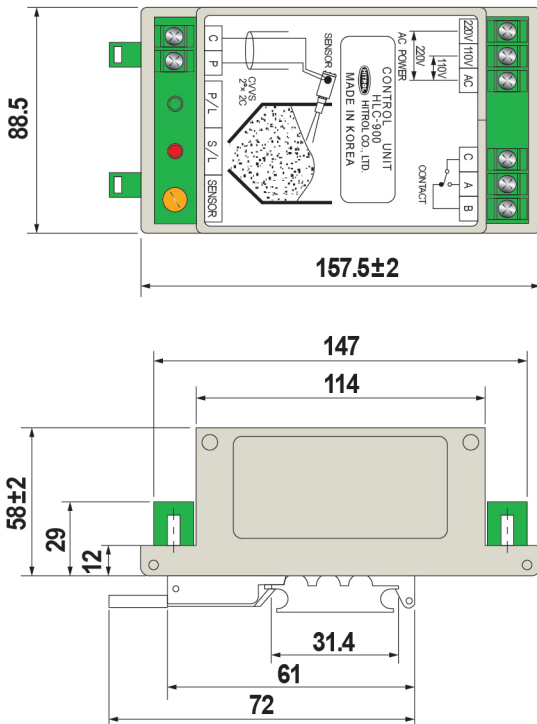
HTM-921
(Compact Version)



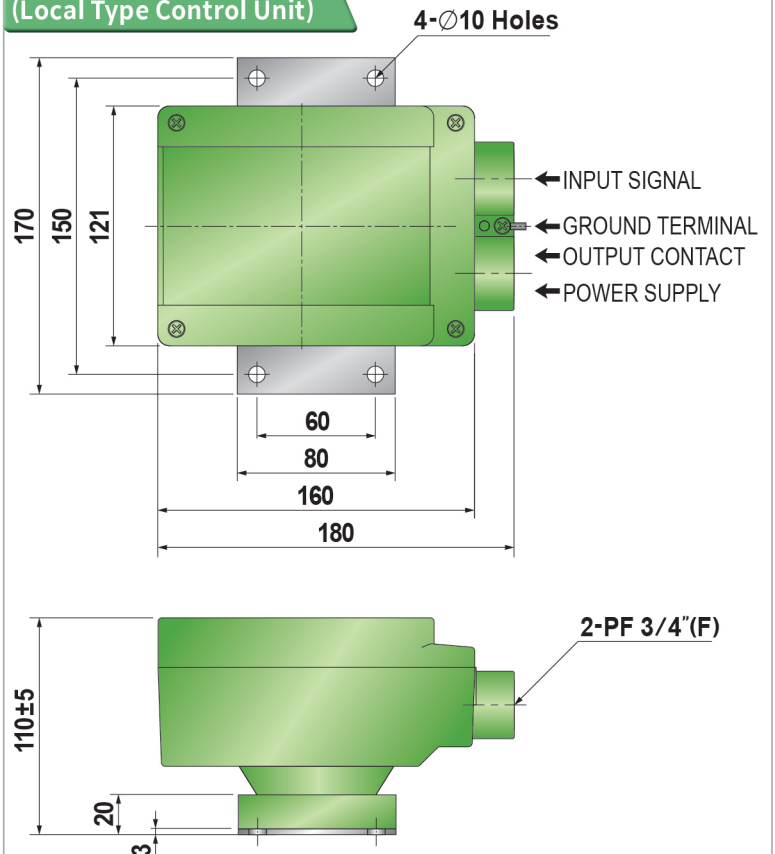
HTM-920
(Remote Version)



HLC-900P
(Panel Type Control Unit)



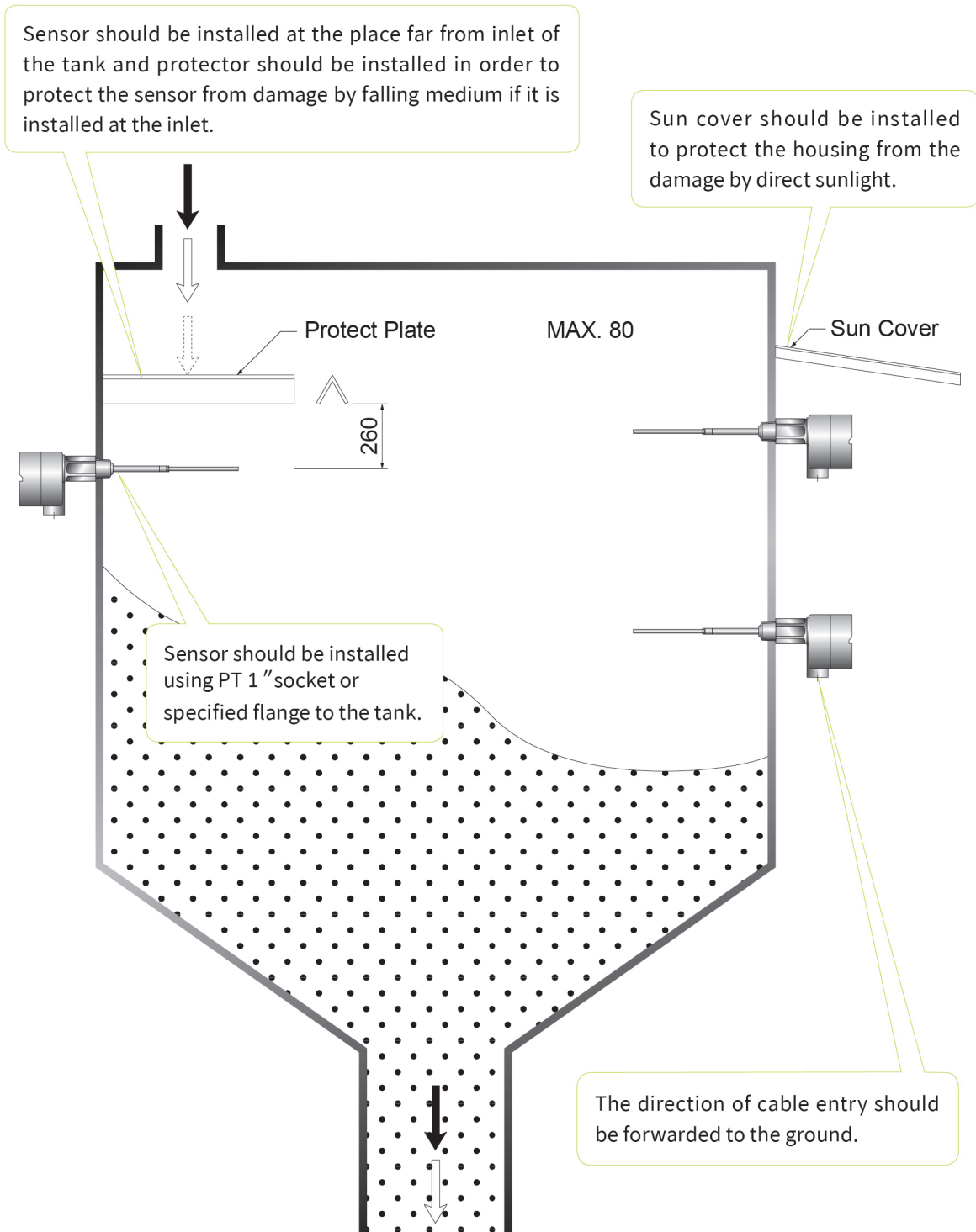
HLC-900L
(Local Type Control Unit)



■ Actual product may have a tolerance slightly.

Installation

- Below recommendation should be considered when installation.



VIBRATION TYPE LEVEL SWITCH

HTM-920(921) Series

- 01 Suitable for small container
- 02 Various solid and power can be measured
- 03 Strong structure and long life cycle
- 04 Remote type is available according to installation and operation environment



 hitrol@hitrol.com

 www.hitrol.com

* Design of product can be changed for upgrade without notice.