

QUICK FLOAT TYPE LEVEL SWITCH

HQ Series



2 YEARS WARRANTY



ASME



www.hitrol.com



Always The Best Solution

HITROL CO., LTD.

Overview

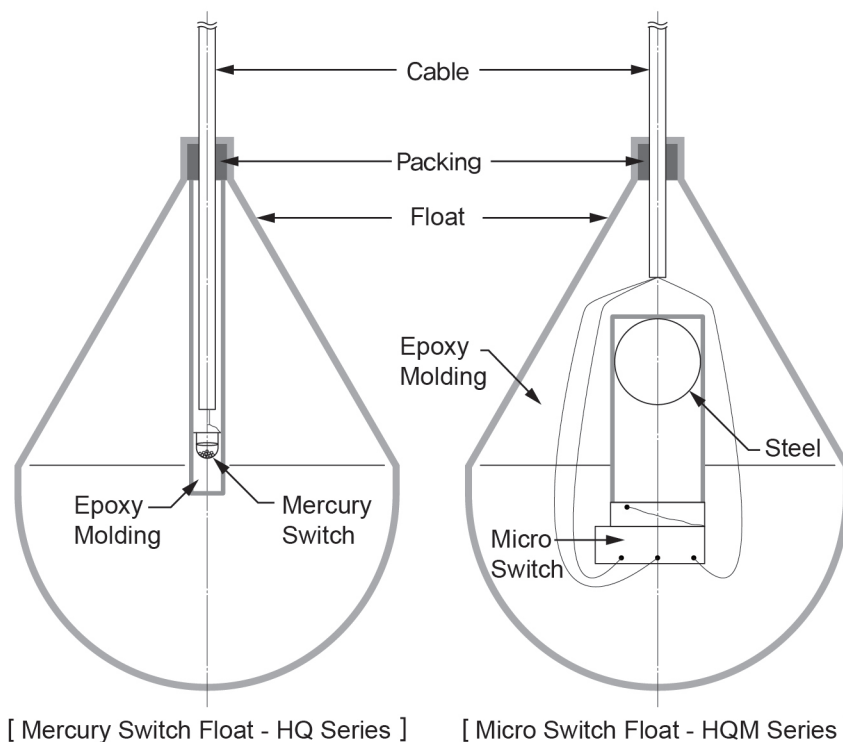
HQ Series is a Quick Float Type Level Switch which is suitable to control liquid levels in general industries, especially wastewater treatment plant and it is designed to use easily with strong structure.

Characteristics

- Simple installation
- Easy adjustment at the site
- Strong to corrosion due to no metal exposed part and long life cycle
- Simple appearance and structure
- Applicable to wastewater having floating material and high viscosity liquid

Operation Principle

- When liquid level increases, float rises by buoyancy.
- When float reaches to the setting point, the built-in mercury switch or micro switch in the float is operated with switch ON or OFF.
- When liquid level decreases, the switch is operated contrary to above situation.



Specification

► HQ-66 Series

Model	HQ-66	HQ-66S
Mounting	Flange	
Enclosure	Weather-Proof, IP54	
Process Pressure	ATM	
Process Temperature	Max. 60°C	Max. 150°C
Switch Type	Mercury Switch	
Contact Rating	AC 110V, 1A / DC 24V, 0.5A	
Contact Form	SPST(std.) / SPDT	
Head Material	ABS(std.), SUS 304	SUS304
Process Connection	100A JIS 10K FF(std.)	100A JIS 10K RF(std.)
Flange Material	PVC(std.)	SUS 304
Float Material	ABS(∅80)	SUS 316L(∅73)
Cable Material	NBR(std.), Polyurethane	Silicon
Weight Material	C.S + ABS(std.), SUS 316L	SUS 304(std.), SUS 316L
Cable Entry	ABS : PF 1/2"(F)(std.) / SUS 304 : 20A Cable Connector(std.)	
Measuring Length	6m(std.)	
Application	General liquids such as water (Cable:NBR), Acidic or oily liquids (Cable:Polyurethane)	High temperature liquids

► HQ-36 Series, HQM-77 Series

Model	HQ-36	HQM-77
Mounting	Flange	
Enclosure	Weather-Proof, IP54	
Process Pressure	ATM	
Process Temperature	Max. 60°C	
Switch Type	Mercury Switch	Micro Switch
Contact Rating	AC 110V, 1A / DC 24V, 0.5A	AC 250V, 3A / AC 125V, 5A
Contact Form	SPST	SPDT
Head Material	ABS(std.), SUS 304	
Process Connection	80A JIS 10K FF(std.)	100A JIS 10K FF(std.)
Flange Material	PVC(std.)	
Float Material	ABS(∅60)	ABS(∅80)
Cable Material	NBR	NBR(std.), Polyurethane
Weight Material	C.S + ABS(std.), SUS 316L	
Cable Entry	ABS : PF 1/2"(F)(std.) / SUS 304 : 20A Cable Connector(std.)	
Measuring Length	6m(std.)	
Application	General liquids such as water	General liquids such as water (Cable:NBR), Acidic or oily liquids (Cable:Polyurethane)

► **Order Code** can be printed at our website (www.hitrol.com)

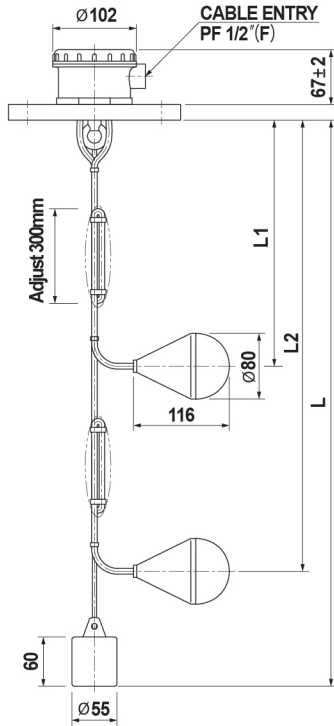


It is recommended to use our control unit together with the product and malfunction or damage of parts may be caused by outside this condition.

Dimension

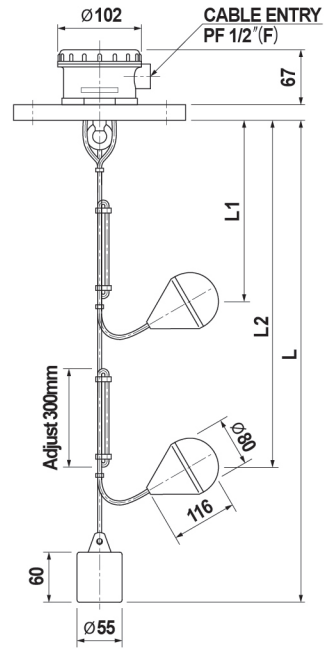
HQ-66

(ABS HEAD)



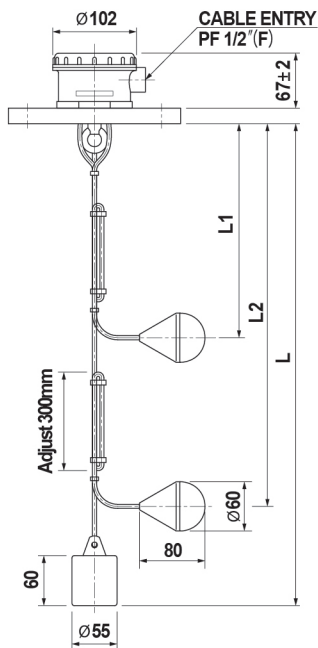
HQM-77

(ABS HEAD)



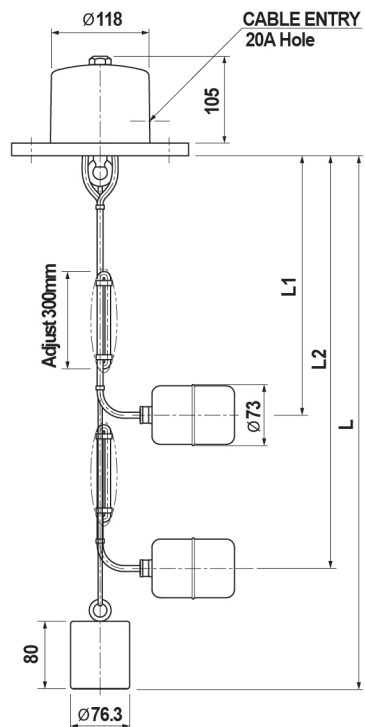
HQ-36

(ABS HEAD)

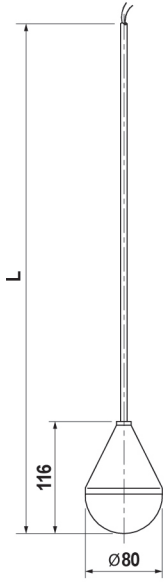


HQ-66S

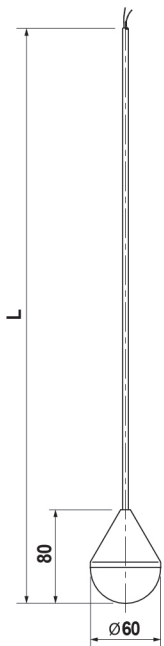
(SUS 304 HEAD)



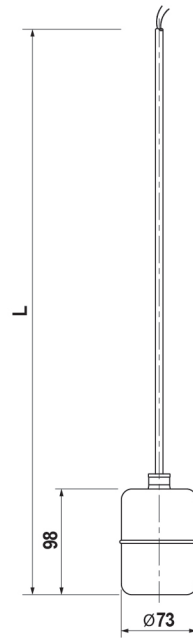
HQ-6
HQM-7



HQ-3

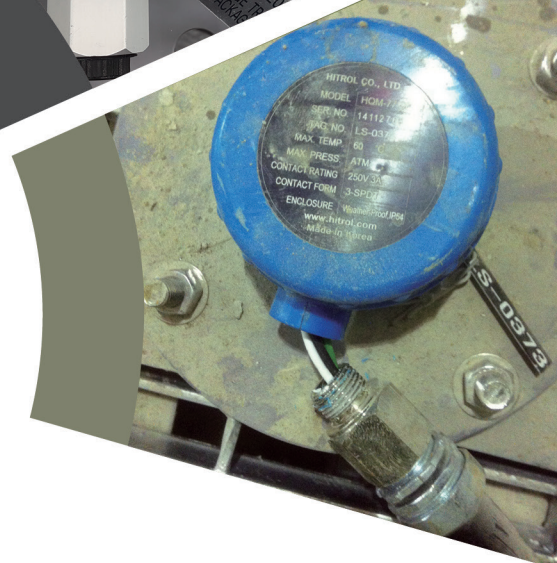


HQ-6S



HQ Series

■ Actual product may have a tolerance slightly.



QUICK FLOAT TYPE LEVEL SWITCH

HQ Series

01 High performance & economic price

02 Suitable for wastewater and sewage

03 Easy adjustment and maintenance

04 Various COMBINATION UNIT
HLC-200A/F, 300N, 400



▲ HLC-200A



▲ HLC-200F



▲ HLC 300N



▲ HLC 400

 hitrol@hitrol.com

 www.hitrol.com

* Design of product can be changed for upgrade without notice.